

82 Threaded Isolation Ring

FEATURES

- 360° instrument rotation and removal with Safe Quick Release™ (SQR™) option
- Process connections ½ thru 2 NPT
- Selection of ¼ or ½ NPT instrument connections
- Non-clogging, low maintenance flow-thru design
- Ensures reliable and accurate pressure readings
- Attaches to a variety of instruments

TYPICAL USES

- Water and wastewater
- Mining
- Pulp and paper
- Chemicals



SPECIFICATIONS

Process connection:	½ thru 2 NPT
Flexible liner:	Buna, EPDM, natural rubber, Viton®, PTFE
End plate material:	316SS, carbon steel, PVDF
Body Material:	316SS or carbon steel
Instrument connection size:	¼ or ½ NPT
Pressure rating:	150 psi

ATTACHMENT OPTIONS

Direct connection
Safe Quick Release™ (SQR™)
Needle valve
Needle valve & Safe Quick Release™ (SQR™)

TEMPERATURE LIMITS

Liner:	Buna-N	-30/225 °F (-34/107 °C)
	Viton®	-15/350 °F (-25/177 °C)
	Natural rubber	-30/225 °F (-34/107 °C)
	EPDM	-40/300 °F (-40/149 °C)
Fill fluids:	Glycerin :	0/400 °F (-18/204 °C)
	Silicone (10Cst):	-40/500 °F (-40/260 °C)
	Halocarbon®	-30/225 °F (-34/107 °C)

Consult Factory for Additional Fluids

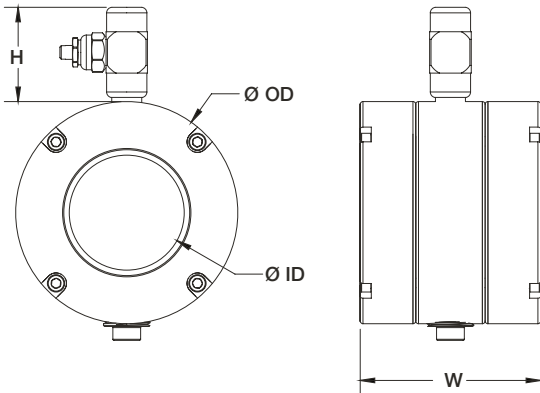
KEY BENEFITS

- Protects instrumentation from clogging
- Short lead times
- Economical design
- Variety of fill fluids for every application

Data Sheet

82 Threaded Isolation Ring

DIMENSIONS in inches



Nom. Pipe Size	Inner Dia. (ID)	Outer Dia. (OD)	Width (W)	Thread (NPT-TPI)	(H) Height		
					(None)	(V) Valve	(SQR)
½"	1.05	3.00	3.00	.5 - 14	0	1.70	2.04
1"	1.05	3.00	3.25	1 - 11.5			
1½"	1.61	3.50	3.25	1½ - 11.5			
2"	2.07	4.00	3.25	2 - 11.5			

ORDERING CODE	Example:	82	50	E	B	B	02T	N	000	XCK
Seal Type										
82 - Barrel style threaded isolation ring		82								
Process Connection Size										
50 - ½ NPT			50							
01 - 1 NPT										
15 - 1½ NPT										
02 - 2 NPT										
Inner Flexible Wall										
E - Buna-N				E						
T - PTFE (available in 2 NPT only)										
Y - Viton®										
R - Natural Rubber										
P - EPDM										
End Plate Material										
B - Carbon steel					B					
S - 316L SS										
F - PVDF										
Body Material										
B - Carbon Steel						B				
S - 316L SS										
Instrument Connection Size										
02T - ¼ NPT Female							02T			
04T - ½ NPT Female (rings are tapped with ¼ NPT connections; 04T connection utilizes ¼-½ NPT adapter)										
Instrument Removal Option										
N - Direct-mount								N		
V - Needle valve										
Q - Safe Quick Release™ (SQR™)										
Z - Needle valve and SQR™ (requires 02T instrument connection)										
Pressure Class										
000 - Not applicable to 82 threaded isolation ring									000	
Options (if choosing option(s) must include an "X")										X__
Fill Fluid										
CG - Glycerin										
CK - Silicone SF-96										CK
CF - Halocarbon®										