

## Data Sheet

### 1198 Finned Siphon

#### FEATURES

- For pressure ratings to 3000 psi
- For process temperature ratings to 700°F (371°C)
- Compatible with many process media
- For use with gauges, switches, transducers and diaphragm seals

#### TYPICAL USES

- Chemical and petrochemical
- Oil and gas
- Pulp and paper
- Power



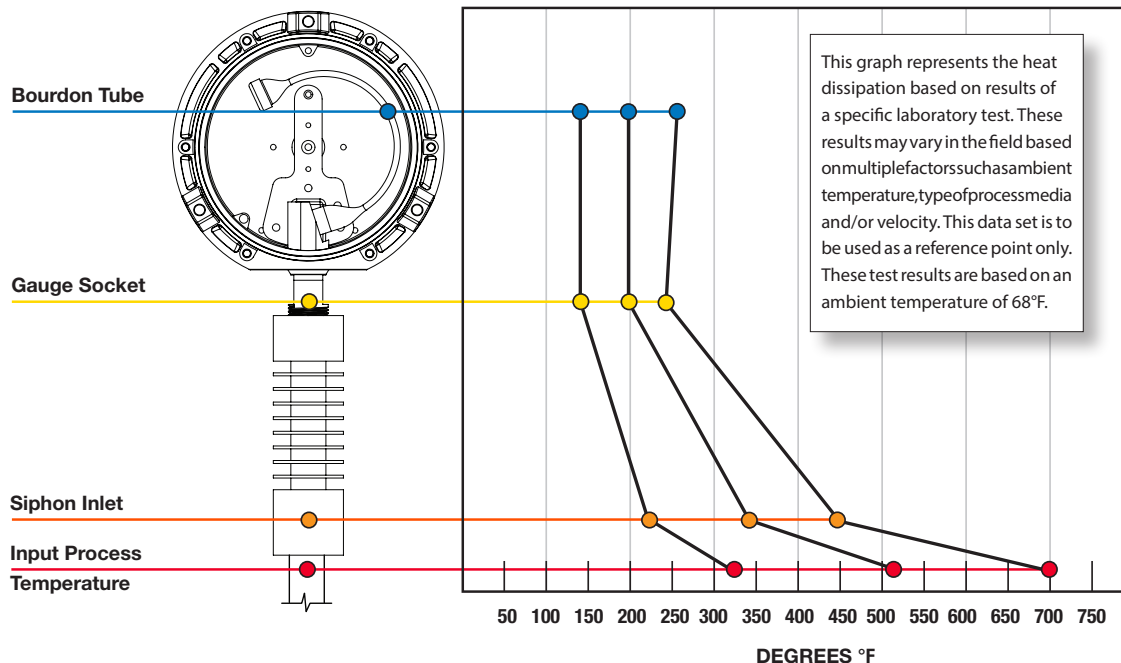
#### SPECIFICATIONS

Process Conn:	¼ NPTM, ½ NPTM
Instrument Conn:	¼ NPTF, ½ NPTF
Materials:	316L stainless steel, Monel
Max Allowable Working Pressure:	3,000 psi (700°F)
Wetted Components:	316L stainless steel

#### KEY BENEFITS

- Protects instrument from elevated temperatures
- Direct mounting of instrument with siphon to the process
- Built-in dampening mechanism combats pulsation

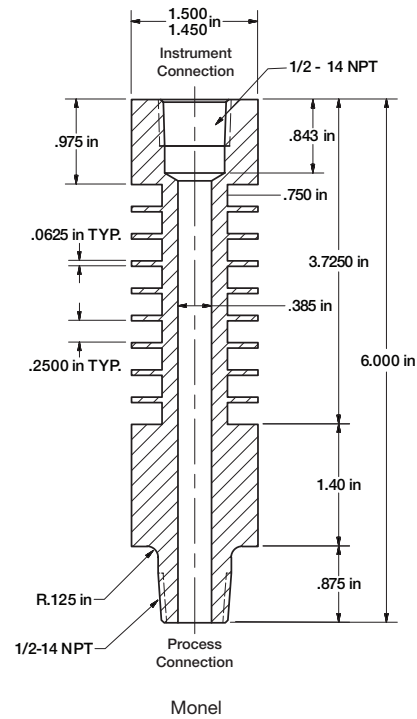
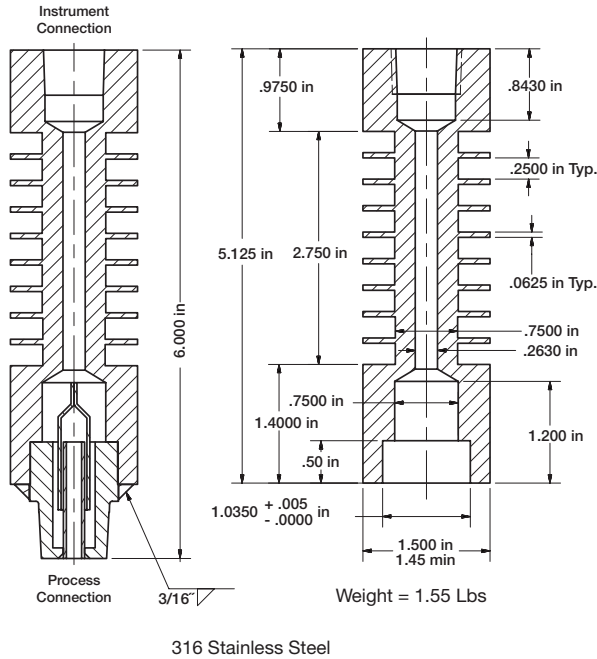
#### FINNED SIPHON HEAT DISSIPATION CHART



# Data Sheet

## 1198 Finned Siphon

### DIMENSIONS



### ORDERING CODE

Example:

04

1198

SS

50

X5GC3

#### Process Connection

02 - 1/4 NPT Male, available with (25) 1/4 NPT Female inst. connect only

04 - 1/2 NPT Male, available with (50) 1/2 NPT Female inst. connect only

04

#### Model

1198 - Finned siphon

1198

#### Material

SS - 316L stainless steel

SS

PM - Monel\*

#### Instrument Connection

25 - 1/4 NPT Female

50 - 1/2 NPT Female

50

#### Options (If choosing an option(s) must include an "X")

5G - Instrument assembly: pressure gauge, siphon

5G

F3 - Instrument assembly: pressure gauge, diaphragm seal, siphon

NH - Wired stainless steel tag

6B - Cleaned for oxygen

6W - Cleaned for oxidizing process other than oxygen

C3 - Material certificate (Compliance to EN 10204.2004 3.1)

C3

\*Monel design does not include built-in dampening mechanism