

Technical Data for PCD, PCD3, PCRD, and PCRD3



Tel: 888-290-6060

www.alicat.com/pressure

Dual Valve Pressure Controllers

Alicat's PCD and PCRD Dual Valve Pressure Controllers accurately and efficiently control pressure within a closed system with a minimum loss of expensive gases through the exhaust process.

PCRD-Series pressure controllers are best for flows greater than 20 lpm.

PCD3 and PCRD3-Series pressure controllers are fitted with an external pressure port for sensing and controlling pressures at a remote point in the system. PCDP controllers are for pressure flow (< 80 psig inlet).

Standard Specifications (Contact Alicat for available options.)

Performance	PCD & PCD3 Controllers	PCRD & PCRD3 Controllers
Full scale pressure < 2" H2O Accuracy	Consult Factory	
Full scale pressure ≥ 2" H2O Standard Accuracy	± 0.30%	
Full scale pressure ≥ 1" H2O High Accuracy Option	± 0.125% (available only on 1 psig or higher ranges)	
Repeatability	± 0.08% Full Scale	
Zero Shift and Span Shift	0.02% Full Scale / °Celsius	
Operating Range / Turndown Ratio	0.5% to 100% Full Scale / 200:1 Turndown	
Excess Pressure	102.4% FS Controllable	
Burst Pressure	3 X Full Scale (1.5 X Full Scale for ranges >500 psi)	
Typical Response Time ¹	100 ms (Adjustable)	
Warm-up Time	< 1 Second	

1. Volumes, feed pressures, exhaust pressures and line sizing will determine the limits of response times.

Operating Conditions	PCD & PCD3 Controllers	PCRD & PCRD3 Controllers
Gas Compatibility	Compatible with all non-corrosive gases ¹	
Operating Temperature	-10 to +60 °Celsius	
Common Mode Pressure (Differential Pressure Units Only)	150 psig	
Mounting Attitude Sensitivity	None	Mount with valve cylinders vertical & upright
Valve Type	Normally Closed	
Ingress Protection	IP40	
Wetted Materials	PCD: 303 & 302 Stainless Steel, Viton®, Heat Cured Silicone Rubber, Glass Reinforced Polyphenylene Sulfide, Heat Cured Epoxy, Aluminum, Gold, Brass, 430FR Stainless Steel, Silicon, Glass. PCRD: 303 & 302 Stainless Steel, Viton®, Heat Cured Silicone Rubber, Glass Reinforced Polyphenylene Sulfide, Heat Cured Epoxy, Aluminum, Gold, 416 Stainless Steel, Silicon, Glass. If your application demands a different material, please contact Alicat.	

1. For aggressive gases, please see our PCDS and PCRDS-Series pressure controllers. For use with water or other liquids please contact Alicat

Communication / Power	PCD & PCD3 Controllers	PCRD & PCRD3 Controllers
Monochrome LCD or Color TFT Display with integrated touchpad	Displays Pressure	
Digital Input / Output Signal ¹ Options	RS-232 Serial / RS-485 Serial / Modbus RTU / PROFIBUS / EtherNet/IP / DeviceNet / Modbus TCP/IP / EtherCAT	
Analog Input / Output Signal ² Options	0-5 Vdc / 1-5 Vdc / 0-10 Vdc / 4-20 mA	
Optional Secondary Analog Input/Output Signal ²	0-5 Vdc / 1-5 Vdc / 0-10 Vdc / 4-20 mA	
Electrical Connection Options	8 Pin Mini-DIN / 9-pin D-sub (DB9) / 15-pin D-sub (DB15) / 6 pin locking / 8pin M12	
Supply Voltage	12-30 Vdc (15-30 Vdc for 4-20 mA outputs)	24-30 Vdc
Supply Current	0.250 Amp	0.750 Amp

1. The **Digital Output Signal** communicates Pressure

2. The **Analog Output Signal** and **Optional Secondary Analog Output Signal** communicate Pressure

Range Specific Specifications

Dual Valve Controllers	Mechanical Dimensions ¹	Process Connections ²
PCD & PCD3 All Standard Ranges	4.1"H x 4.8"W x 1.1"D	1/8" NPT Female
PCDP All Standard Ranges	4.4"H x 5.2"W x 1.6"D	1/4" NPT Female
PCRD & PCRD3 All Standard Ranges	5.5"H x 10.6"W x 2.3"D	3/4" NPT Female

1. See drawings for metric equivalents.

2. Compatible with Swagelok® tube, Parker®, face seal, push connect and compression adapter fittings. VCR and SAE connections upon request.

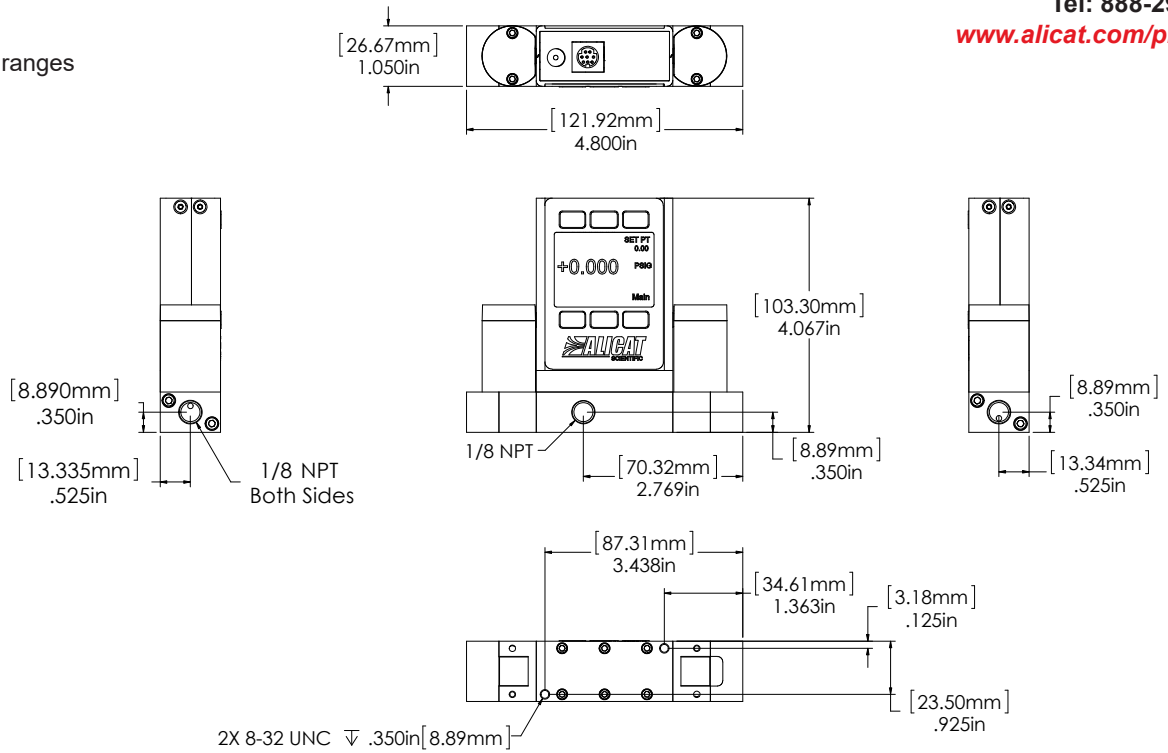
Standard Available Ranges

PCD, PCD3, PCRD and PCRD3 Pressure Controllers		
-15 psig to 0 psig		
2 inH ₂ OD	2 inH ₂ OG	
1 psid	1 psig	
5 psid	5 psig	
15 psid	15 psig	15 psia
30 psid	30 psig	30 psia
100 psid	100 psig	100 psia
	500 psig	500 psia
	1000 psig	1000 psia
	1500 psig	1500 psia
	2000 psig	2000 psia
	3000 psig	3000 psia
Other ranges available. Please contact Alicat.		

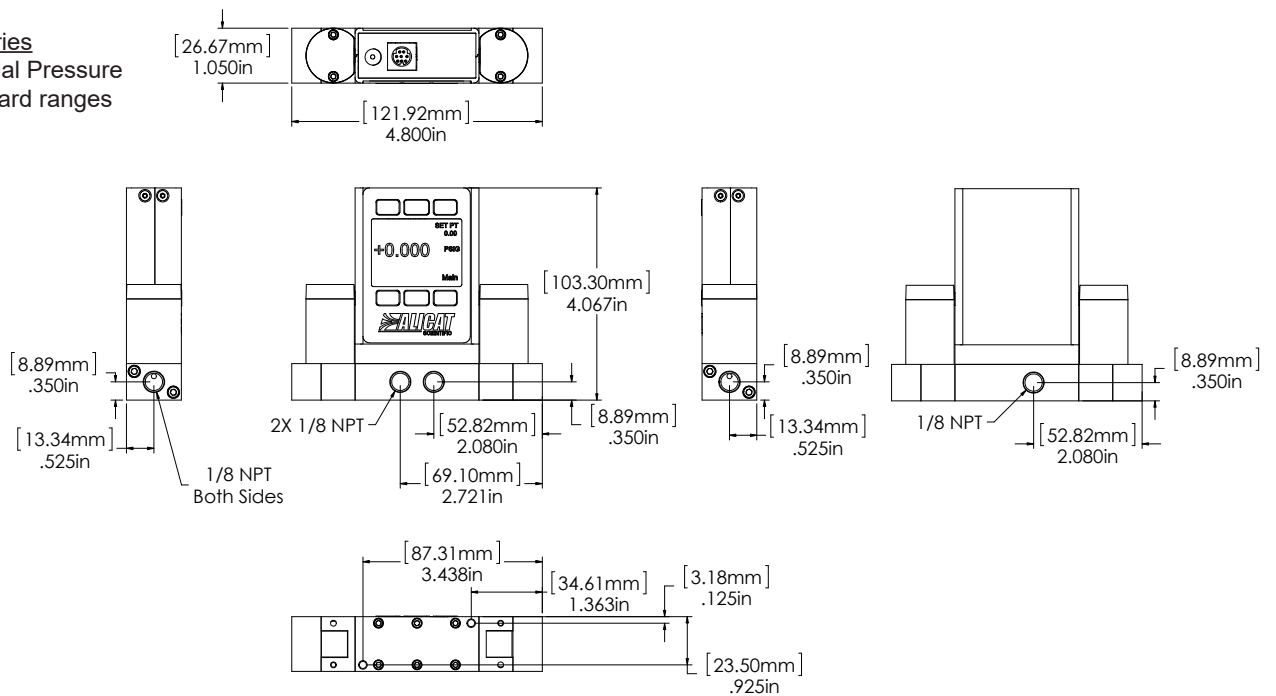
Available Units*			
Absolute	Gauge	Differential	Notes
PaA	PaG	PaD	pascal
hPaA	hPaG	hPaD	hectopascal
kPaA	kPaG	kPaD	kilopascal
MPaA	MPaG	MPaD	megapascal
mbarA	mbarG	mbarD	millibar
barA	barG	barD	bar
g/cm2A	g/cm2G	g/cm2D	gram force per square centimeter
kg/cmA	kg/cmG	kg/cmD	kilogram force per square centimeter
PSIA	PSIG	PSID	pound force per square inch
PSFA	PSFG	PSFD	pound force per square foot
mTorrA	mTorrG	mTorrD	millitorr
torrA	torrG	torrD	torr
mmHgA	mmHgG	mmHgD	millimeter of mercury at 0 C
inHgA	inHgG	inHgD	inch of mercury at 0 C
mmH2OA	mmH2OG	mmH2OD	millimeter of water at 4 C (NIST conventional)
mmH2OA	mmH2OG	mmH2OD	millimeter of water at 60 C
cmH2OA	cmH2OG	cmH2OD	centimeter of water at 4 C (NIST conventional)
cmH2OA	cmH2OG	cmH2OD	centimeter of water at 60 C
inH2OA	inH2OG	inH2OD	inch of water at 4 C (NIST conventional)
inH2OA	inH2OG	inH2OD	inch of water at 60 C
atm			atmosphere
m asl			meter above sea level (only in /ALT builds)
ft asl			foot above sea level (only in /ALT builds)

* Note that only units appropriate to your device will be available for selection.

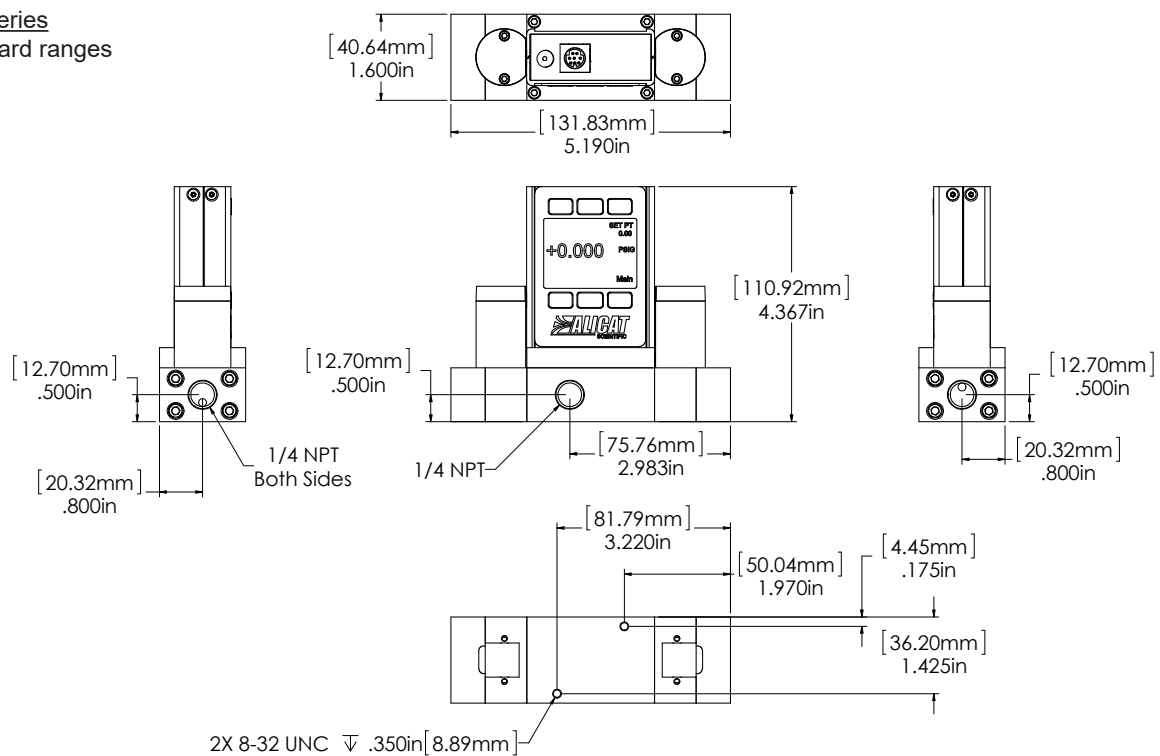
PCD-Series
All standard ranges



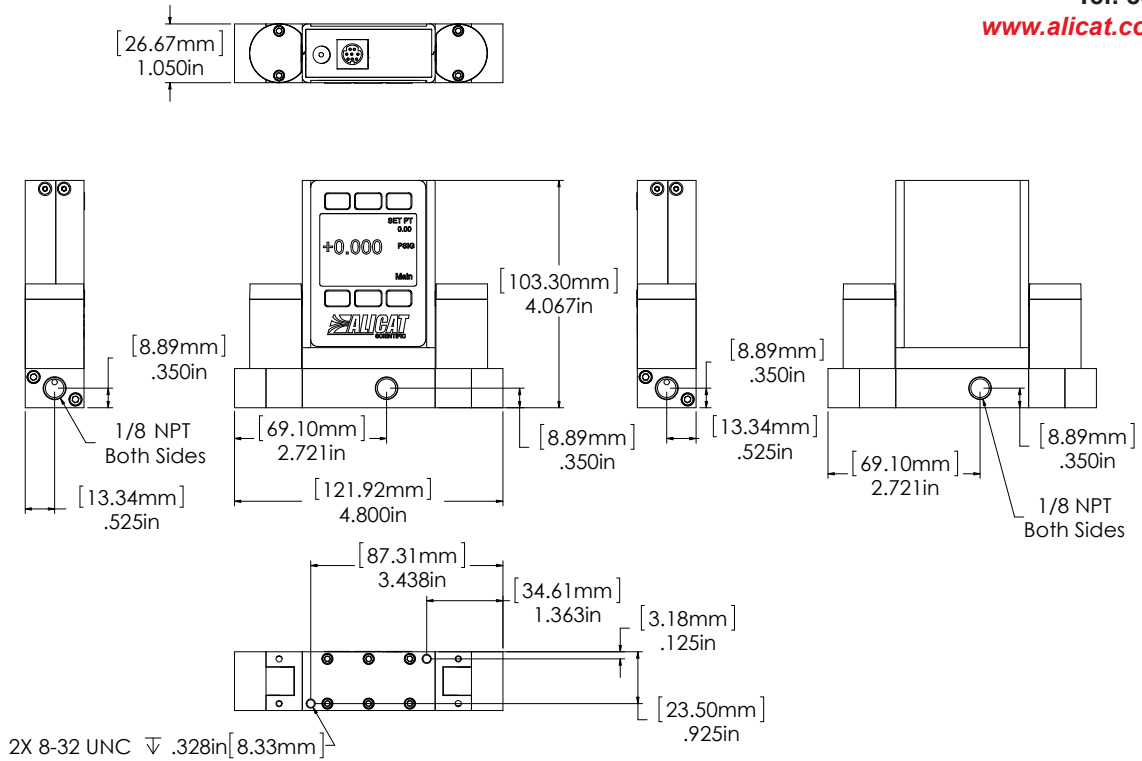
PCD-Series
Differential Pressure
All standard ranges



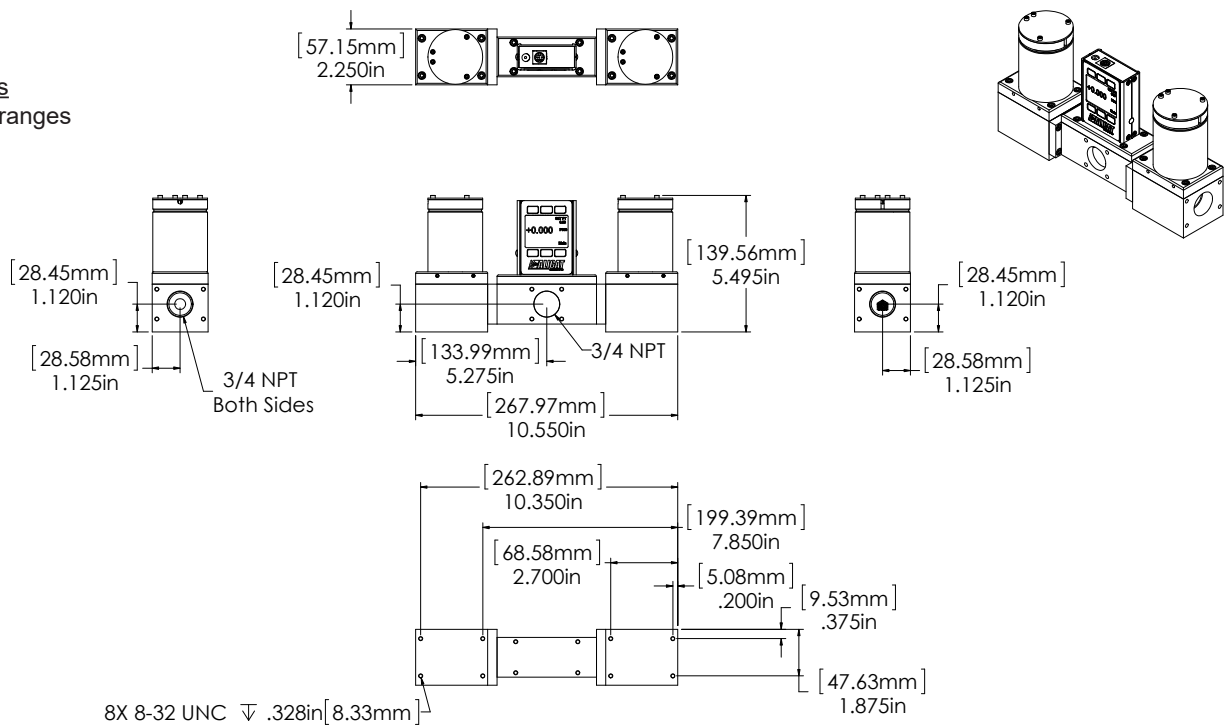
PCDP-Series
All standard ranges



PCD3
100PSIG



PCRD-Series
All standard ranges



PCRD3
15PSIG

