

# Amplified Output Industrial Pressure Transducers

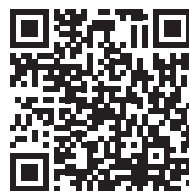
## Series: PT-L1/L3/L10



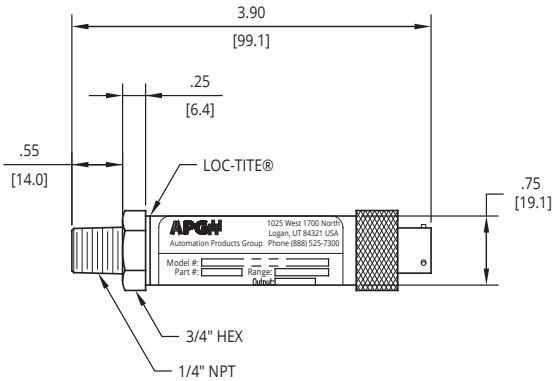
Our amplified output pressure transmitters are the economical answer for all applications requiring high accuracy and reliability over a wide range of pressures. The PT-L1/L3/L10 pressure transmitters offer ranges from vacuum to 10,000 psi, all stainless steel construction, high burst pressure, and high accuracy.

### Features

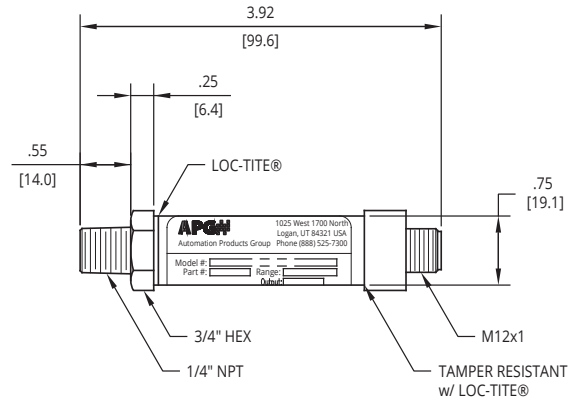
- Cost effective
- High overpressure capability
- Zero and span adjustments
- Single piece stainless steel process fitting and sensor



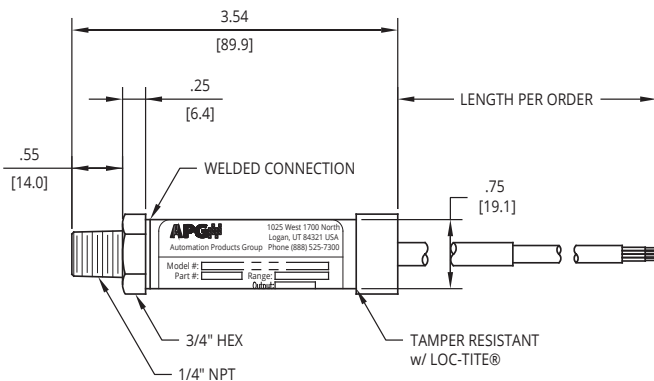
# PT-L1/L3/L10 Specifications



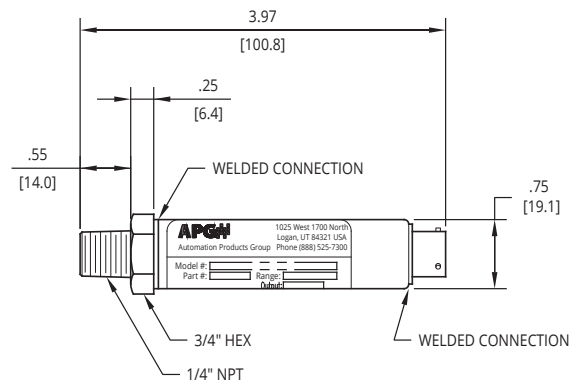
**K0, E3 - KNURLED NUT, 4-PIN BAYONET**  
4-PIN BAYONET w/ KNURLED NUT  
CAN - PROCESS CONNECTION w/ LOC-TITE®



**K1, E4 - TAMPER RESISTANT NUT, 4-PIN M12**  
EUROFAST M12 w/ TAMPER RESISTANT NUT & LOC-TITE®  
CAN - PROCESS CONNECTION w/ LOC-TITE®



**K2, E5 - TAMPER RESISTANT NUT, PIGTAIL**  
CABLE PIGTAIL w/ TAMPER RESISTANT NUT & LOC-TITE®  
CAN - PROCESS CONNECTION WELDED



**K3, E3 - WELDED 4-PIN BAYONET**  
4-PIN BAYONET, WELDED CONNECTION  
CAN - PROCESS CONNECTION WELDED

## Performance

- Accuracy  
B.F.S.L.  $\leq 0.25\%$  of full scale  
NIST up to  $\pm 0.1\%$  available on select ranges
- Temp Compensation Range:  
Up to  $0^\circ - 130^\circ\text{F}$  ( $-17^\circ - 54^\circ\text{C}$ )
- Extended Temp Compensation Ranges: (Optional)  
 $-40^\circ - 180^\circ\text{F}$  ( $-40^\circ - 82^\circ\text{C}$ )  
 $0^\circ - 185^\circ\text{F}$  ( $-17^\circ - 85^\circ\text{C}$ )

## Connectivity

- Output:  
4-20 mA  
0-5 VDC  
1-5 VDC  
1-6 VDC  
0-10 VDC
- Internet Connectivity:  
RST-5003 (4-20 mA version only)

## Electrical

- Supply Voltage:  
4-20 mA: 10 - 36 VDC  
0-5 VDC: 9 - 33 VDC  
1-5 VDC: 9 - 33 VDC  
1-6 VDC: 9 - 33 VDC  
0-10 VDC: 14 - 33 VDC
- Electrical Protection:  
Reverse polarity

## Physical

- Material: 15-5, 17-4, or 316L SS

## Programming

- Field Calibration:  
Zero and Span adjust

# Common Model Configurations

## 4-20 mA Output

Model Number	Model Description
PT-L1-C-15-PSIA-E5-5-P0-N0-M1-V0-K0-S0	<b>0-15 PSI, Absolute</b> Pressure Reference, 1/4" NPTM, 316L SS, 5 ft. cable
PT-L1-C-60-PSIA-E5-5-P0-N0-M1-V0-K0-S0	<b>0-60 PSI, Absolute</b> Pressure Reference, 1/4" NPTM, 316L SS, 5 ft. cable
PT-L1-C-5-PSIG-E5-5-P0-N0-M1-V0-K0-S0	<b>0-5 PSI, Gauge</b> Pressure Reference, 1/4" NPTM, 316L SS, 5 ft. cable
PT-L1-C-30-PSIG-E5-5-P0-N0-M1-V0-K0-S0	<b>0-30 PSI, Gauge</b> Pressure Reference, 1/4" NPTM, 316L SS, 5 ft. cable
PT-L1-C-100-PSIG-E5-5-P0-N0-M1-V0-K0-S0	<b>0-100 PSI, Gauge</b> Pressure Reference, 1/4" NPTM, 316L SS, 5 ft. cable
PT-L1-C-50-PSICG-E5-5-P0-N0-M1-V0-K0-S0	<b>0-50 PSI, Compound Gauge</b> Reference, 1/4" NPTM, 316L SS, 5 ft. cable
PT-L1-C-500-PSICG-E5-5-P0-N0-M1-V0-K0-S0	<b>0-500 PSI, Compound Gauge</b> Reference, 1/4" NPTM, 316L SS, 5 ft. cable
PT-L1-C-1000-PSIS-E5-5-P0-N0-M2-V0-K0-S0	<b>0-1,000 PSI, Sealed Gauge</b> Reference, 1/4" NPTM, 17-4 SS, 5 ft. cable
PT-L1-C-5000-PSIS-E5-5-P0-N0-M2-V0-K0-S0	<b>0-5,000 PSI, Sealed Gauge</b> Reference, 1/4" NPTM, 17-4 SS, 5 ft. cable
PT-L1-C-10000-PSIS-E5-5-P0-N0-M2-V0-K0-S0	<b>0-10,000 PSI, Sealed Gauge</b> Reference, 1/4" NPTM, 17-4 SS, 5 ft. cable

## Accessories

Please order separately, by part number.

Mating Connector	Part Number	Cable in Feet Part Number Suffix		Cable Lengths
		mA Output	VDC Output	
4-pin bayonet mating connector (E3)	509010	-10xx	-20xx	02, 05, 10, 25
4-pin female (M12) mating connector (E4)*	--	135407-000x		2 meters, 5 meters
6-pin circular mating connector (E1)	509110	-10xx	-20xx	02, 05, 10, 25
6-pin bayonet mating connector (E17)	509165	-10xx	-20xx	02, 05, 10, 25

\*Note: 4-pin female (M12) must be ordered with 2 or 5 **meters** of cable. It is not available as mating connector only.

# Model Configuration Options



Model Number: PT- \_\_\_\_\_ - C - \_\_\_\_\_ - \_\_\_\_\_ - \_\_\_\_\_ - \_\_\_\_\_ - \_\_\_\_\_ - \_\_\_\_\_ - \_\_\_\_\_ - \_\_\_\_\_ - \_\_\_\_\_  
 A B C D E F G H I J K L

## A. Operation

- L1** 4-20 mA
- L3** 0-5 VDC
- L10** 0-10 VDC
- L11** 1-6 VDC
- L12** 1-5 VDC
- L21** 1-10 VDC

## B. Common Pressure Ranges - PSI\*

- 5**
- 50**
- 200**
- 1000**
- 5000**
- 15**
- 60**
- 300**
- 2000**
- 10000**
- 30**
- 100**
- 500**
- 3000**

\*Other ranges available. Please consult factory.

## C. Unit of Measure

<input type="checkbox"/> <b>PSI</b> <sup>▲</sup>	<input type="checkbox"/> <b>kPa</b>	<input type="checkbox"/> <b>inHg</b>
<input type="checkbox"/> <b>bar</b>	<input type="checkbox"/> <b>inH<sub>2</sub>O</b>	<input type="checkbox"/> <b>kgcm<sup>2</sup></b>
<input type="checkbox"/> <b>mbar</b>	<input type="checkbox"/> <b>mmHg</b>	<input type="checkbox"/> <b>fsw</b>

## D. Pressure Type

- G** Gauge
- CG** Compound Gauge
- V** Vac
- A** Absolute
- S** Sealed

## E. Electrical Connection

Mating connector sold separately

- E1** 6-pin circular
- E3** 4-pin bayonet
- E4** 4-pin M12 Micro connector
- E5**<sup>▲</sup> Pigtail with cable (specify length below)
- E17** 6-pin bayonet

## F. Electrical Cable Length

- \_\_\_\_\_ Number represents cable length, in 5-ft increments, included on E5 pigtail option above. (ex. E5-10 represents pigtail with 10 ft. cable)

Note: <sup>▲</sup> Indicates this option is standard.

## G. Process Connection

- P0**<sup>▲</sup> 1/4-18 NPTM
- P4** 7/16 SAE male flush mount
- P5** 1/4-18 NPTF
- P7** 7/16-20 SAE male
- P14** 1/8-27 NPTM
- P16** PT 1/4 (BSPP) male
- P22** G3/8 (3/8 BSPP) male
- P23** G1/2 (1/2 BSPP) male
- P30** High Pressure Sno Trik (M-250C, Autoclave male)
- P54** 7/16-20 UNJF-3A male w/ cone

## H. Accuracy

- 1-5,000 PSI**
- N0**<sup>▲</sup> ±0.25%
- N1**<sup>\*</sup> ±0.25% with NIST certification
- N2** ±0.1% with NIST certification

\*Note: ±0.25% available at 10,000 psi for 4-20 mA output only.

## 10,000 PSI

- N12** ±0.5%
- N13** ±0.5% with NIST certification

## I. Materials

- M0** 15-5 SS (≥ 1k psi)
- M1**<sup>▲</sup> 316L SS (up to 5k psi)
- M2** 17-4 SS (≥ 1k psi)

## J. Vibration

- V0**<sup>▲</sup> Standard
- V1** High (not available with K0)

## K. Can Assembly Connections

	Can - Elec Conn.	Can - Process Conn.	E Options
<input type="checkbox"/> <b>K0</b> <sup>▲</sup>	Knurl	Loc-Tite	E1 - E5
<input type="checkbox"/> <b>K1</b>	Tamper Resist*	Loc-Tite	E1 - E5
<input type="checkbox"/> <b>K2</b>	Tamper Resist*	Weld	E1 - E5
<input type="checkbox"/> <b>K3</b>	Weld	Weld	E3, E17

\* Tamper Resist: Smooth Nut with Loc-Tite

## L. Temperature

- S0**<sup>▲</sup> Standard: 0° - 130°F (-17° - 54°C)
- S1** Extended: -40° - 180°F (-40° - 82°C)
- S4** Extended: 0° - 185°F (-17° - 85°C)