

ADVANCE IR >>

TSCAN-750 Temperature Scanning Entry System



Advance IR TSCAN-750 Temperature Scanning Entry System combines traditional infrared (IR) temperature measurement with facial recognition.

Simple operation requires the user to stand in front of the device, and within one second, their identity and body temperature are automatically logged and recorded. After the user's identity is authenticated and a normal body temperature is recorded, the user is granted entry/access to pass. If the user's body temperature exceeds a normal value, the system will automatically alarm and prohibit passage.

For additional scenarios, this device supports three usage modes with different platform software capabilities.

1. Company Mode - Combined facial recognition and temperature measurement for employee access control and attendance management.
2. Education Mode - Combined facial recognition and temperature measurement for campus access control and attendance management.
3. Quick Screening Mode – Access control via rapid temperature screenings (no facial recognition) with access to data via mobile app.

Applications

- Workplaces
- Educational Facilities
- Retail Stores
- Restaurants
- Sports & Entertainment Venues
- Airports

Features

- Facial Recognition Library: Up to 50,000
- Identification Accuracy: >99%
- Live Detection: Bi-eye near-infrared / Speed: 400ms (approx.)
- Facial Detection: 1080P @ 25fps / Speed: 200ms (approx.)
- Multiple devices can be used at one location
- Record keeping of attendance and body temperatures
- For indoor use only



TSCAN-750 Specifications

Temperature Measurement Parameters

Range	89.6°F ~ 113°F (32°C~45°C)
Accuracy	±0.5°C
Distance	8 in ~ 20 in (0.2m~0.5m)
Response Time	0.5 seconds
Elevated Temperature Alarm Point	99.1°F (37.3°C)

System Hardware Parameters

Processor	ARM Cortex-A7 (Quad Core)
Operating System	Android 8.1
Memory	1 GB
Storage	16 GB

Camera Parameters

Resolution	Color: 200W (1920 x 1080), Infrared: 130W (1280 x 960)
Imaging Devices	Color: AR0230, Infrared: AR0130
Lens	2.9mm
Identification Distance	12 in ~ 47 in (0.3m-1.2m)
Field of View (FOV) Corner	Horizontal: 89° / Vertical: 57° / Diagonal: 98°
Facial Angle	±30°
Minimum Illumination	Color: ≥0.01LUX at F1.2, Infrared: ≥0.01LUX at F1.2
Signal-to-Noise Ratio	Color: ≥4dB, Infrared: ≥44dB
Dynamic Range	Color: ≥105dB, Infrared: ≥83.5dB

LCD Parameters

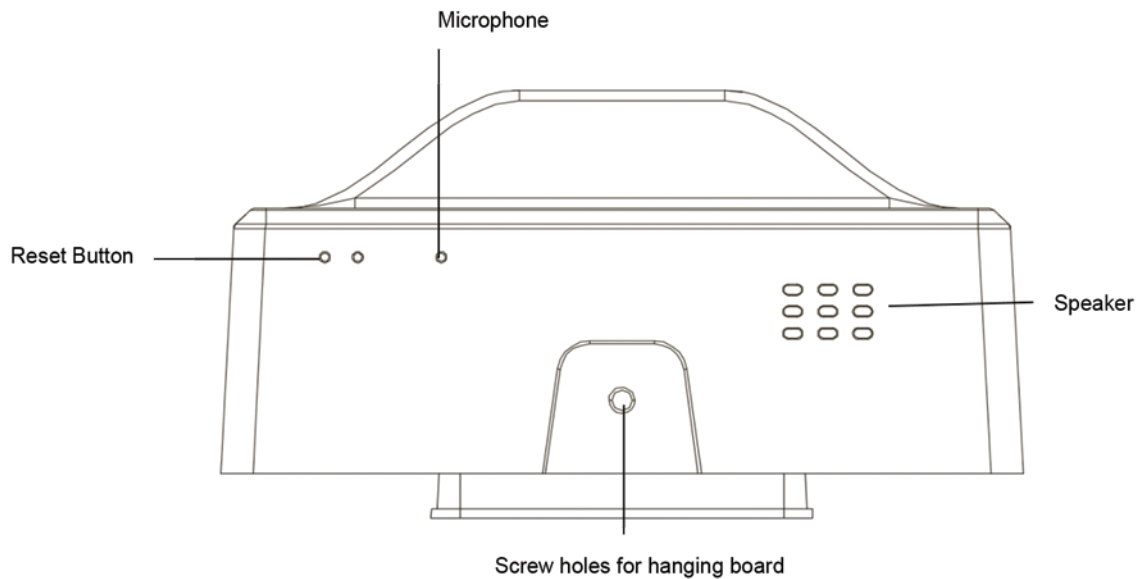
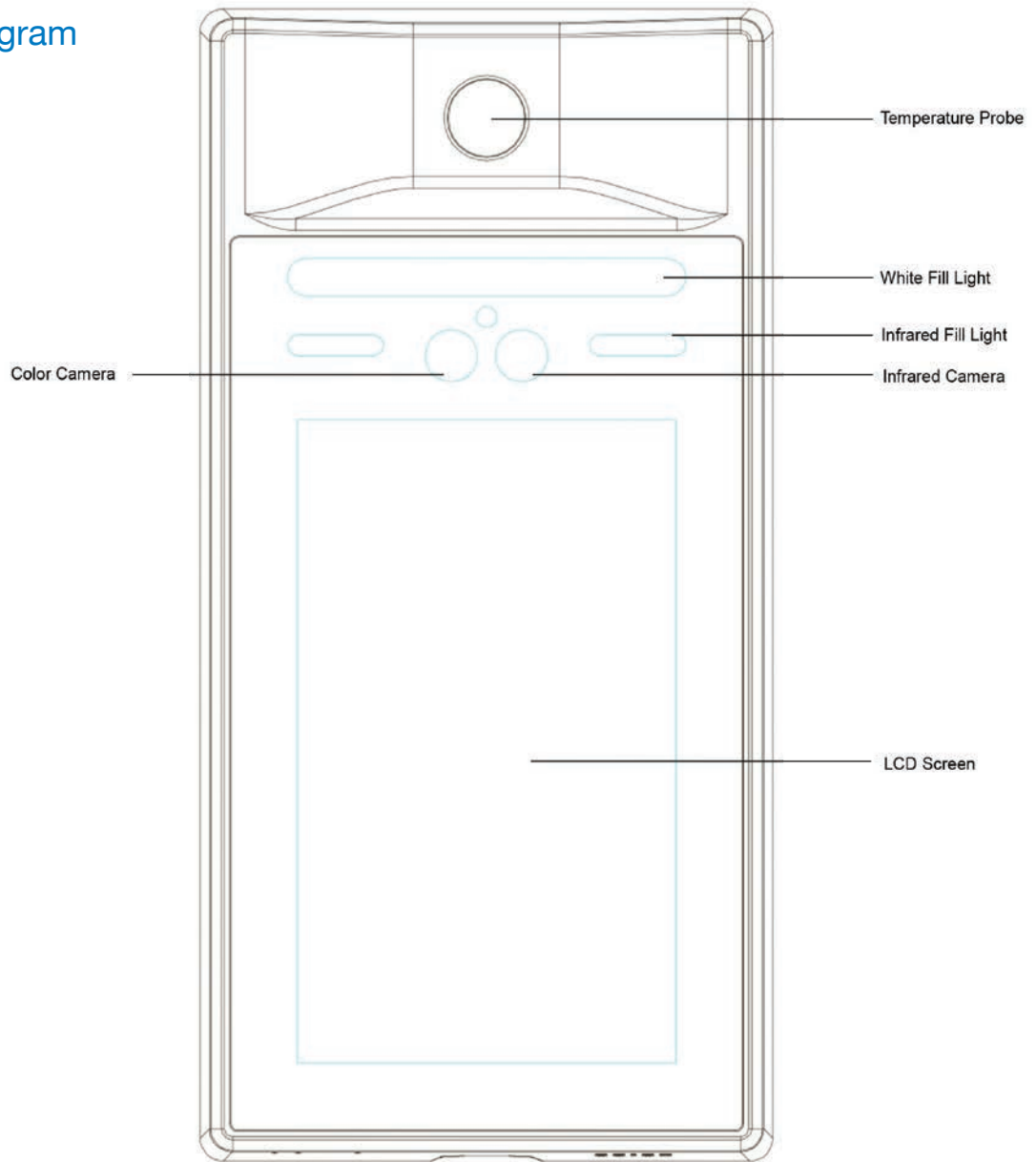
Screen Size	7 inch (178mm)
Resolution	720*1280

TSCAN-750 Specifications (Cont.)

Interface Parameters	
Network Interface	1 X RJ45 \geq 105dB, Infrared: \geq 83.5dB
USB Interface	1 X USB-A Interface 1 X micro USB Interface
Wireless Connection	WIFI - BLE4.0
External Storage	Supported
RS485 Interface	1 X RS485 Interface
Relay Interface	1 X Relay Interface
Alarm Door Check Button	1 X Alarm Door Check Button
Reserved IO	1 X 11-Pin Terminal
Horn	Sound Output
Microphone	Sound Input
Power	12V DC / 3A
Smart Features	
Facial Recognition Type	Supports 1:1,1:N,M:N Identification
Facial Recognition Library	Up to 50,000 Identities
Offline Recording	100,000
Identification Accuracy	$>$ 99.8%
Live Detection	Bi-eye near-infrared
Facial Detection	1080P@25fps
Facial Recognition Speed	Approx 200ms
Live Detection Speed	Approx 400ms
Basic Parameters	
Product Dimensions (L x W x H)	11 in x 5.4 in x 3 in (275 mm x 137 mm x 72.5 mm)
Working Humidity	10%~90%
Operating Temperature	50°F ~ 104°F (10°C ~ 40°C)
Box Dimensions (L x W x H)	15.5 in x 9 in x 6 in (394 mm x 229 mm x 153 mm)
Box Weight	5.3 lbs (2.4 kg)

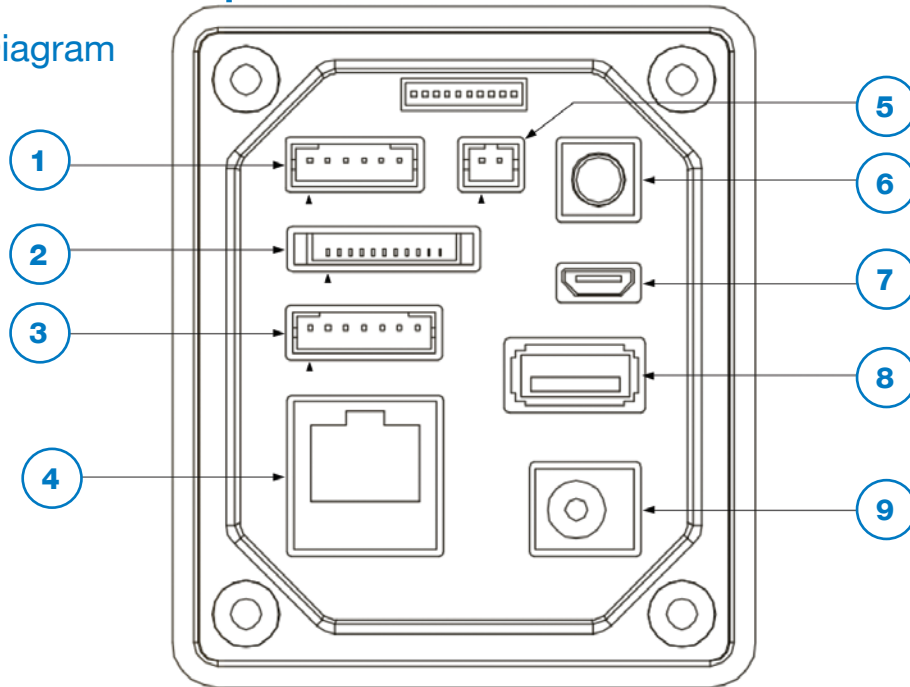
TSCAN-750 Specifications (Cont.)

Product Diagram



TSCAN-750 Specifications (Cont.)

Interface Diagram



1 6-PIN Open Button, Door Check, Fire Interface

1	2	3	4	5	6
5V	GND	NC	Open Button	Door Sensor	Fire Alarm

2 11-PIN Reserved IO Interface

1	2	3	4	5	6	7	8	9	10	11
-	PWRON	107	GND	3.3V	106	105	104	103	102	101

3 7-PIN 12V Power Supply, Relay Interface

1	2	3	4	5	6	7
COM	NO	NC	GND	GND	12V	12V

4 Ethernet Port

5 2-PIN 485 Interface

1	2
485A	485B

6 Tamper Key / Button

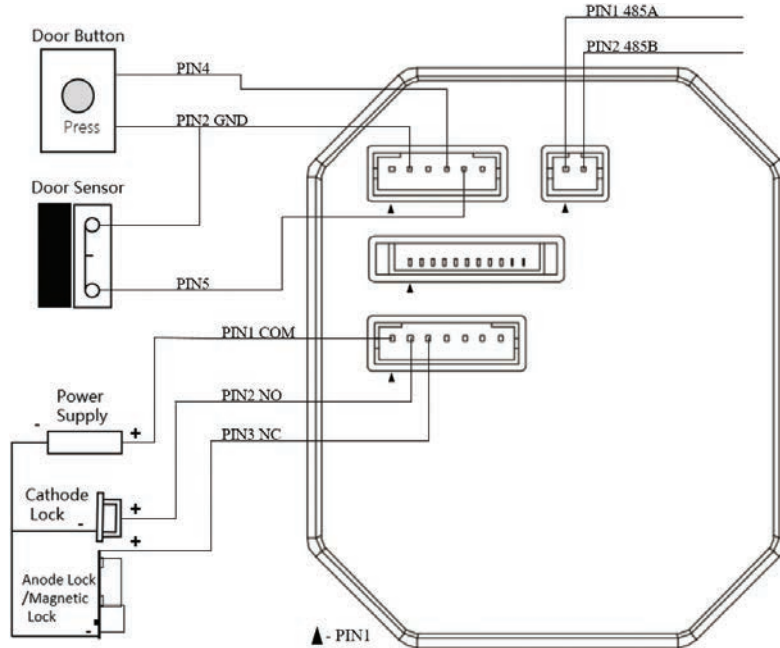
7 Micro USB Interface

8 USB-A Interface

9 12V Power Adapter Socket

TSCAN-750 Specifications (Cont.)

Wiring Diagram



Mounting

- For wall mounting, the TSCAN-750 is provided with a wall mount kit, which includes:
 - 1 Wall Mount Plate
 - 4 Wall Plugs
 - 4 KA 4x25 Screws
 - 4 KM 4x10 Screws
 - 4 Hex Screws
 - 4 Hex Nuts
 - 8 Flat Washers
 - 1 ¼-20 3/8" Phillips Screw
- For freestanding applications, most standard tripods/stands can be used with the T-Scan 750 by fixing the backplate to the stand using the existing holes and screws provided.
- Regardless of wall mount or freestanding installation, the TSCAN-750 is for indoor use only.

Box Contents

- TSCAN-750 Unit
- 1 Power Adapter
- 4 Power International Adapter Plugs: 1x Type A, 1x Type C, 1x Type G, 1x Type O No Ground
- 4 Cables: 1 x 2 pin, 1 x 6 pin, 1 x 7 pin, and 1 x 11 pin
- 1 Port Cover
- 1 Wall Mount Kit (See above)

Warranty

Standard Limited Warranty for 12-months on mechanical or manufacturer defects. Request Standard Terms and Conditions of Sale for further details.

ADVANCE IR >>

www.advanceir.com

© 2020 Advance IR. All Rights Reserved. Specifications are subject to change without notice. Other company names and product names used in this document are the registered trademarks or trademarks of their respective owners.

AAS-920-773D - 09/2020