

## Model A820 Shallow Water Analog Tiltmeter

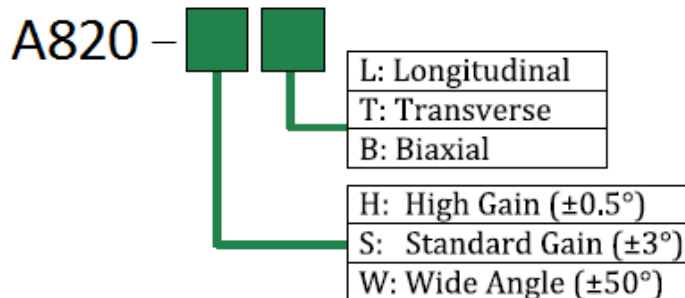
The model A820 Shallow Water is a high-precision submersible tiltmeter for use in fresh and salt water applications. Using an absolute gravity referenced electrolytic sensor, the A820 delivers superior measurement accuracy with virtually no long-term drift. High-gain units are sensitive to <math><0.0017\text{ mm/m}</math> or better. Output is a stable  $\pm 5\text{ VDC}$  voltage, which can be read with any VDC input data recorder. All units are rated to 200 meters (656.2 ft) waterproof for advanced protection from the elements. Use the A820 "Shallow Water" for structural monitoring, angle measurement and control, platform leveling and more.



	High-Gain	Standard	Wide-Angle
Angular Range	$\pm 0.5^\circ$	$\pm 3.0^\circ$	$\pm 50^\circ$
Resolution	$<0.0001^\circ$	$0.0006^\circ$	$0.01^\circ$
Repeatability	$<0.0002^\circ$	$0.001^\circ$	$0.02^\circ$
Non-Linearity	1%	2%	0.5%
Scale Factor	$0.1^\circ/\text{V}$	$0.6^\circ/\text{V}$	$10^\circ/\text{V}$
Time Constant	1.75 sec (2-pole Butterworth low-pass filter)		0.15 sec
Kz Temp Coefficient	$\pm 0.0002^\circ/\text{C}$ (typical)		$\pm 0.002^\circ/\text{C}$ (typical)
Ks Temp Coefficient	$0.04\%/^\circ\text{C}$ (typical)		$<0.1\%/^\circ\text{C}$ (typical)
Output	$\pm 5\text{VDC}$ (single ended)		
Channels	Tilt, Temperature		
Output Impedance	270 ohms		
Temperature Output	$0.1^\circ\text{C}/\text{mV}$ typical (single ended; $0^\circ\text{C} = 0\text{mV}$ )		
Power	8-18 VDC @ 8mA, 250 mV ripple max, reverse polarity protected		
Environmental	-4 to $+60^\circ\text{C}$ operation; $-30$ to $+100^\circ\text{C}$ storage. Submersible to 200 meters (656.2 ft)		
Mounting	Two no. 10 stainless steel mounting screws.		
Dimensions & Weight	92.1 x 112.4 x 61 mm; 1.6 kg		
Materials	316 SS		
Housing Connector	6-pin bulkhead, male plug		
Mating Cable	6-conductor unshielded, 20AWG female receptacle with locking sleeve, neoprene jacket, 24"		

*Specifications subject to change without notice on account of continued product development*

### How to Order:

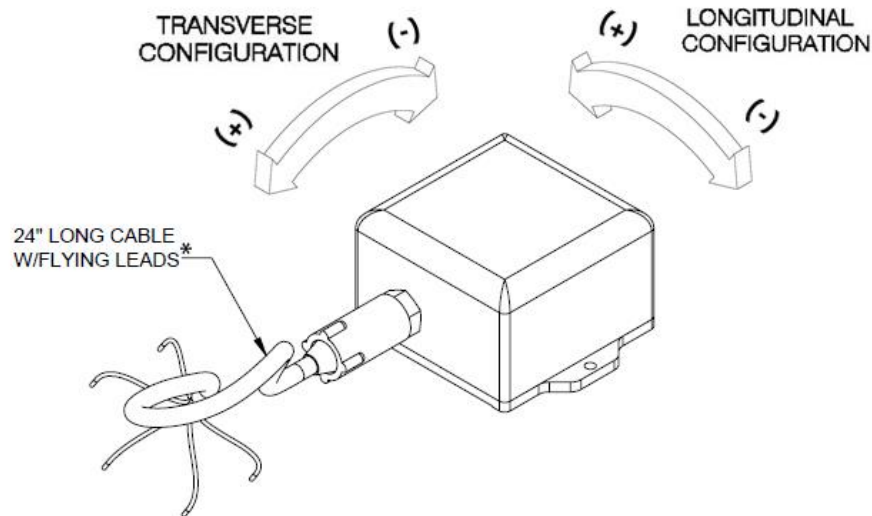
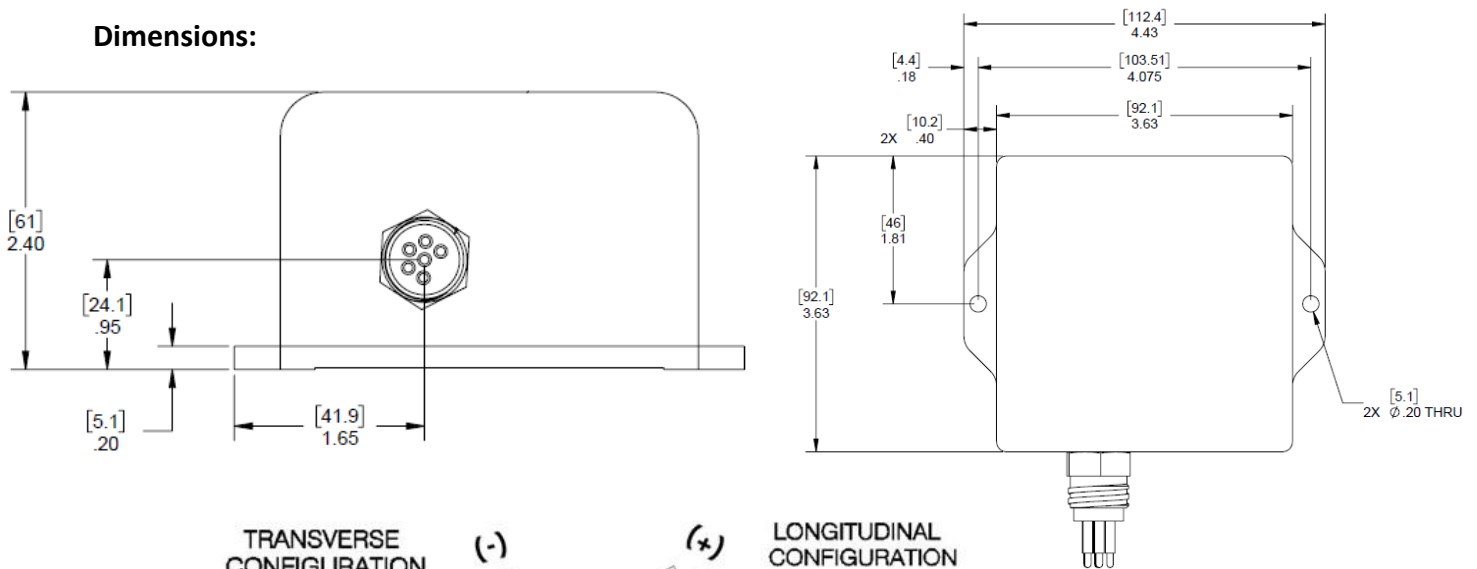


### Wiring/Pin-out:

Pin	Wire Color	Function
1	Black	Power Ground
2	White	Signal Ground
3	Red	Power
4	Green	X - Tilt
5	Orange	Temperature
6	Blue	Y - Tilt

## Model A820 Shallow Water Analog Tiltmeter

### Dimensions:



UNITS: [mm]  
IN

\*Custom cable lengths available on request

### Part Numbers:

Part Number	Model Long Description
98823-01	A820-HB, $\pm 0.5^\circ$ Shallow Water, High Gain, Biaxial Analog Tiltmeter
98823-02	A820-SB, $\pm 3^\circ$ Shallow Water, Standard-Angle, Biaxial Analog Tiltmeter
98823-03	A820-WB, $\pm 50^\circ$ Shallow Water, Wide-Angle, Biaxial Analog Tiltmeter
98823-04	A820-HT, $\pm 0.5^\circ$ Shallow Water, High Gain, Transverse (Uniaxial) Analog Tiltmeter
98823-05	A820-ST, $\pm 3^\circ$ Shallow Water, Standard-Angle, Transverse (Uniaxial) Analog Tiltmeter
98823-06	A820-WT, $\pm 50^\circ$ Shallow Water, Wide-Angle, Transverse (Uniaxial) Analog Tiltmeter
98823-07	A820-HL, $\pm 0.5^\circ$ Shallow Water, High Gain, Longitudinal (Uniaxial) Analog Tiltmeter
98823-08	A820-SL, $\pm 3^\circ$ Shallow Water, Standard-Angle, Longitudinal (Uniaxial) Analog Tiltmeter
98823-09	A820-WL, $\pm 50^\circ$ Shallow Water, Wide-Angle, Longitudinal (Uniaxial) Analog Tiltmeter