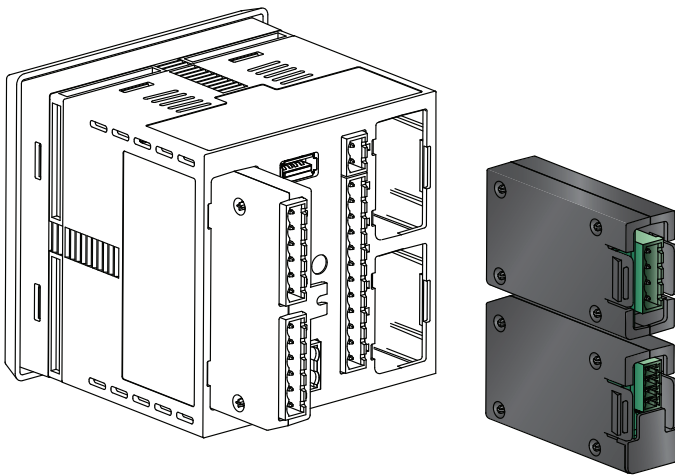




#### Description

The 9950 Transmitter offers the following module options. 3-9950.394-1 is a Single Channel Direct Conductivity/Resistivity Module, 3-9950.394-2 Dual Channel Direct Conductivity Module, 3-9950.395-M Modbus Module, and a 3-9950.398-2 Dual Channel 4 to 20 mA Current Loop Output Module.



The plug-in modules may be installed either before or after the base unit is installed in the customer's application.

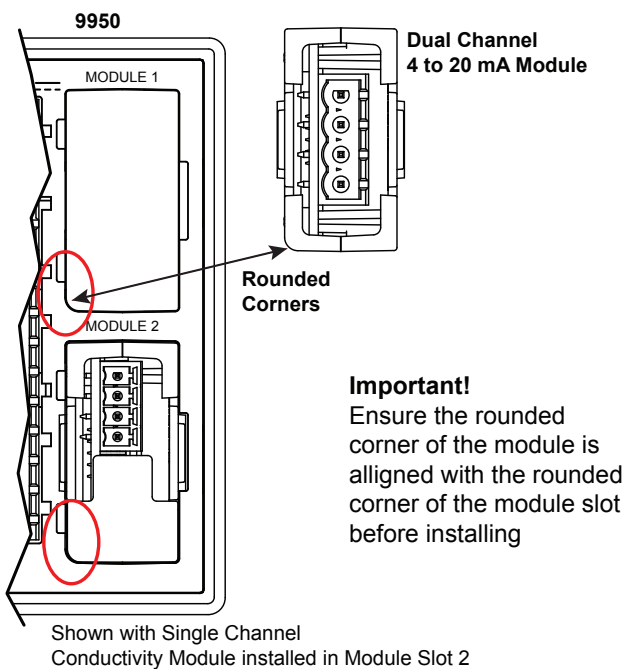
- Always disconnect power from the 9950 Before adding or Removing any modules.
- Modules can be installed in either slot.
- Refer to 9950 Manual for set up and programming.

#### Module Installation

1. Remove power from the 9950. Carefully align pins and connectors (do not bend connecting pins) and push module firmly into place.

#### Module Removal

1. Ensure power is disconnected from the 9950.
2. Unplug connectors and squeeze the two retaining tabs while pulling module out of 9950.



#### CAUTION:

Exercise care when installing or removing module. Do not bend connecting pins.



#### Avoid Electrostatic Discharge (ESD):

- Minimize handling of module to reduce the possibility of damage due to ESD.
- Handle module by the edges. Never touch any exposed circuitry or contacts.
- Wear an anti-static wristband or stand on an anti-static mat, or keep one hand touching a properly grounded pipe or other properly grounded piece of metal when handling module.

## Conductivity Module Wiring

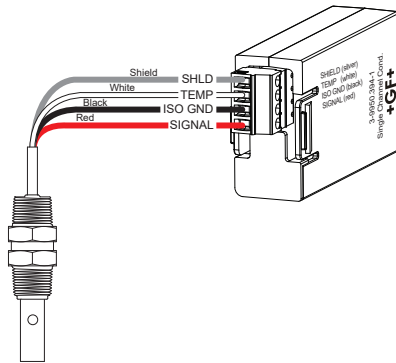
3-9950.394-1, 3-9950.394-2

### Direct Conductivity Resistivity Module

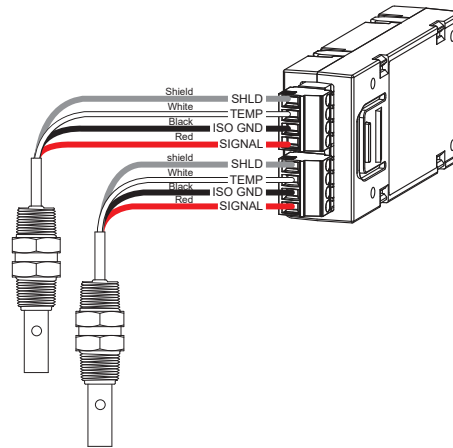
Compatible with all GF Signet Conductivity Electrodes. Maximum Conductivity cable length is 30 meters (100 feet).

For longer distances use the 3-2850 Conductivity Sensor Electronics. Up to two modules can be installed in a 9950 Transmitter.

#### Single Channel Conductivity Module



#### Dual Channel Conductivity Module

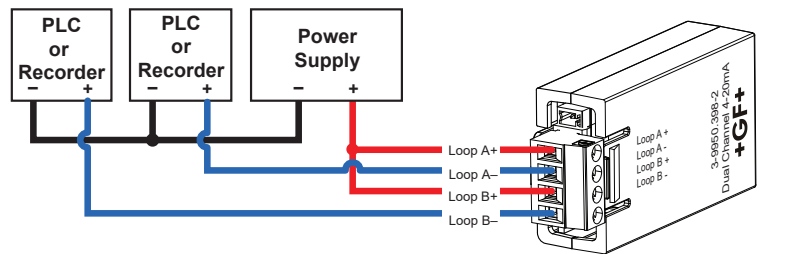


## Loop Wiring

3-9950.398-2

### Dual Channel 4 to 20 mA Module

Two additional 4 to 20 mA passive current loop outputs in a single module, allows up to six current loop modules in the 9950 Transmitter.

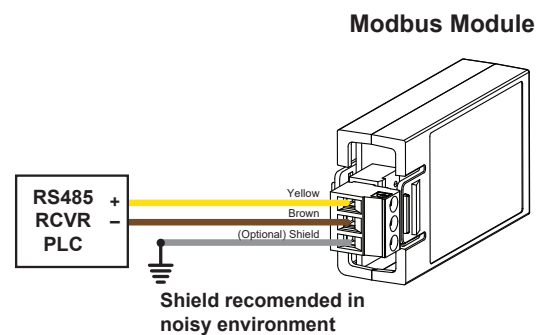


## Modbus Module Wiring

3-9950.395-M

### Modbus Module

Connects the 9950 to serial, RS485, Modbus automation networks.



## Ordering Information

Mfr. Part No.	Code	Description
3-9950.394-1	159 001 846	Single Channel Direct Conductivity/Resistivity Module
3-9950.394-2	159 001 847	Dual Channel Direct Conductivity/Resistivity Module
3-9950.398-2	159 001 848	Dual Channel 4 to 20 mA Current Loop Output Module
3-9950.395-M	159 001 905	Modbus Module

**+GF+**

Georg Fischer Signet LLC, 3401 Aero Jet Avenue, El Monte, CA 91731-2882 U.S.A. • Tel. (626) 571-2770 • Fax (626) 573-2057  
 For Worldwide Sales and Service, visit our website: [www.gfsignet.com](http://www.gfsignet.com) • Or call (in the U.S.): (800) 854-4090  
 For the most up-to-date information, please refer to our website at [www.gfsignet.com](http://www.gfsignet.com)