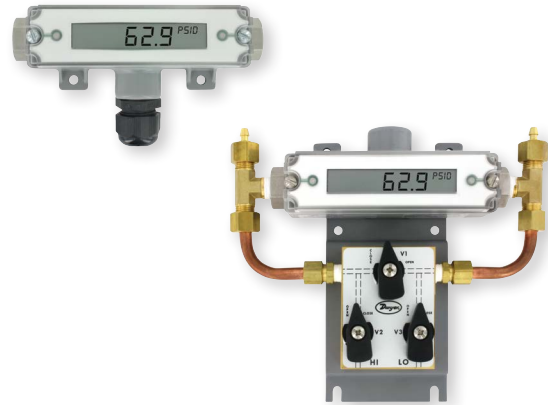


# SERIES 629C | WET/WET DIFFERENTIAL PRESSURE TRANSMITTER

## FEATURES/BENEFITS

- Versatile, high accuracy device for liquid or gas supports designs requiring more precise measurements in support of application
- Removable terminal block reduces wiring difficulties saving installation time
- Optional LCD indicator provides local status to identify operational conditions
- Optional 3-way valve manifold allows the transmitter to be zeroed without removing it from service and protects the transmitter from damage due to water hammer
- Remote sensor option reduces installation labor and material



## APPLICATIONS

- Flow elements
- Coils
- Heat exchangers
- Chiller
- Filters
- Pumps

## DESCRIPTION

The Series 629C Wet/Wet Differential Pressure Transmitter monitors differential pressure of compatible gases and liquids with 0.5% accuracy. The design employs dual pressure sensors converting pressure changes into a 4 to 20 mA or voltage output signal. Small internal volume and minimal moving parts result in exceptional response and reliability. The wiring terminals and zero adjustment button are easily accessed under the removable cover. The Series 629C is designed to meet NEMA 4X (IP66) weatherproof construction.



629C-RS Option



Conduit housing with remote sensor available in 10' or 20' shielded or armored cable

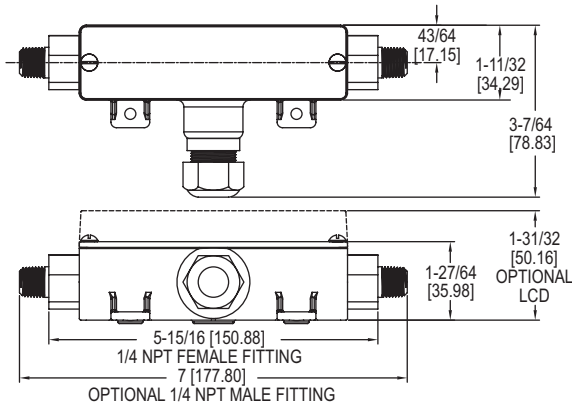
## SPECIFICATIONS

<b>Service</b>	Compatible gases and liquids.
<b>Wetted Materials</b>	Without valve: 316, 316L SS. With valve option: Buna-N, silicone grease, PTFE, brass 360, copper, and reinforced copolymer.
<b>Accuracy</b>	±0.5% FS (includes linearity, hysteresis & repeatability).
<b>Thermal Effect</b>	Avg 0.04%/°F (0.072%/°C) (includes zero and span).
<b>Display</b>	Optional 4-1/2 digit LCD field attachable display.
<b>Stability</b>	±1% FS/yr.
<b>Temperature Limits</b>	0 to 200°F (-18 to 93°C).
<b>Pressure Limits</b>	See chart on catalog page.
<b>Power Requirements</b>	10 to 35 VDC (2-wire); 13 to 35 VDC, or isolated 16 to 33 VAC (3-wire).
<b>Output Signal</b>	4 to 20 mA (2-wire); Field selectable: 0 to 5, 1 to 5, 0 to 10, or 2 to 10 VDC (3-wire).
<b>Zero and Span Adjustments</b>	Push buttons inside conduit enclosure.
<b>Loop Resistance</b>	Current output: 0 to 1250 Ω max; Voltage output: Load resistance 5 kΩ min.
<b>Current Consumption</b>	28 mA max.
<b>Electrical Connections</b>	Removable terminal block; 1/2" female NPT conduit.
<b>Process Connections</b>	1/4" female or male NPT.
<b>Mounting Orientation</b>	Not position sensitive.
<b>Weight</b>	10.1 oz (286 g).
<b>Agency Approvals</b>	CE.

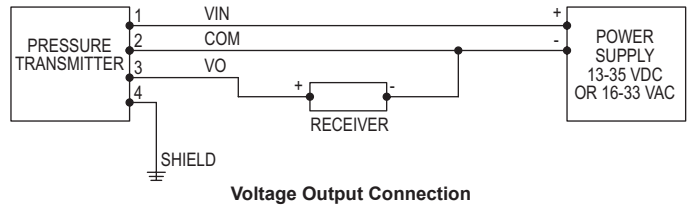
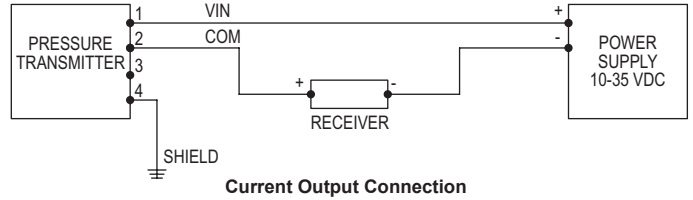




## DIMENSIONS



## WIRING DIAGRAM



## HOW TO ORDER

Use the **bold** characters from the chart below to construct a product code.

<p><b>SERIES</b></p> <p><b>629C</b> - Wet/Wet Differential Pressure Transmitter</p> <p><b>RANGE</b></p> <p><b>-01</b> - 0 to 5 psid                      <b>-11</b> - 0 to 0.5 bar differential  <b>-02</b> - 0 to 10 psid                    <b>-12</b> - 0 to 1 bar differential  <b>-03</b> - 0 to 25 psid                    <b>-13</b> - 0 to 2 bar differential  <b>-04</b> - 0 to 50 psid                    <b>-14</b> - 0 to 4 bar differential  <b>-05</b> - 0 to 100 psid                   <b>-15</b> - 0 to 6 bar differential  <b>-06</b> - 0 to 150 psid                   <b>-16</b> - 0 to 10 bar differential  <b>-07</b> - 0 to 200 psid                   <b>-17</b> - 0 to 15 bar differential  <b>-08</b> - 0 to 300 psid                   <b>-18</b> - 0 to 20 bar differential  <b>-09</b> - 0 to 500 psid                   <b>-19</b> - 0 to 30 bar differential</p> <p><b>HOUSING</b></p> <p><b>-CH</b> - Conduit housing, NEMA 4X (IP66)  <b>-R1</b> - Conduit housing, NEMA 4X (IP66) with Remote Sensor and 10' shielded cable  <b>-R2</b> - Conduit housing, NEMA 4X (IP66) with Remote Sensor and 20' shielded cable  <b>-R5</b> - Conduit housing, NEMA 4X (IP66) with Remote Sensor and 10' armored cable  <b>-R6</b> - Conduit housing, NEMA 4X (IP66) with Remote Sensor and 20' armored cable</p>	<p><b>629C</b>   <b>-05</b>   <b>-CH</b>   <b>-P3</b>   <b>-E2</b>   <b>-S1</b>   <b>-NIST</b></p>	<p><b>OPTIONS</b></p> <p><b>-3V</b> - 3-way valve  <b>-AT</b> - Aluminum tag  <b>-AT</b> - Factory calibration certificate  <b>-LCD</b> - LCD indication  <b>-NIST</b> - NIST traceable calibration certificate</p> <p><b>SIGNAL OUTPUT</b></p> <p><b>-S1</b> - 4 to 20 mA  <b>-S3</b> - Field selectable 0-5, 1-5, 0-10, 2-10 VDC</p> <p><b>ELECTRICAL CONNECTIONS</b></p> <p><b>-E1</b> - Cable gland with 3' of prewired cable  <b>-E2</b> - Cable gland with 6' of prewired cable  <b>-E3</b> - Cable gland with 9' of prewired cable  <b>-E5</b> - 1/2" female NPT conduit  <b>-E9</b> - M-12 4-pin connector</p> <p><b>PROCESS CONNECTIONS</b></p> <p><b>-P1</b> - 1/4" male NPT  <b>-P2</b> - 1/4" female NPT  <b>-P3</b> - 1/4" male BSPT  <b>-P4</b> - 1/4" female BSPT</p>
---	--	--

## ACCESSORIES

Model	Description
<b>A-62X-LCD</b>	Field-upgradeable LCD
<b>A-629C-3V</b>	3-way brass manifold valve
<b>A-155</b>	Cable gland with 1/2" NPT male
<b>A-228</b>	12" SS flex hose
<b>BBV-1B</b>	Mini SS 3-valve black manifold

Important Notice: Dwyer Instruments, Inc. reserves the right to make changes to or discontinue any product or service identified in this publication without notice. Dwyer advises its customers to obtain the latest version of the relevant information to verify, before placing any orders, that the information being relied upon is current.

