

## SERIES 616D | DIFFERENTIAL PRESSURE TRANSMITTER

### FEATURES/BENEFITS

- Simple calibration push-buttons to set zero and span
- Cost effective and compact device suitable for OEM applications where space, simplicity, and value are key
- Simultaneous current and voltage outputs support process and test connection in a single circuit
- NPT or barbed fitting insures correct connection for application

### APPLICATIONS

- Air handlers
- Duct pressure
- Variable air volume
- Filter monitoring

### DESCRIPTION

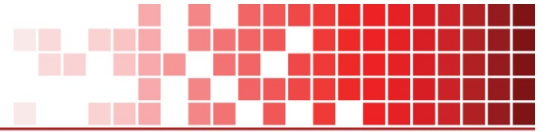
The **SERIES 616D** Differential Pressure Transmitter senses the pressure of air and compatible gases and sends a standard 4 to 20 mA or 0 to 10 VDC output signal. The 616D enclosure is specifically designed to mount on a 35 mm DIN rail in a panel. This mounting style allows for several units to be mounted closely together reducing required space. The span and zero controls are for use when checking calibration. They are not intended for re-ranging. Versatile circuit design enables operation in 2-wire current loops.



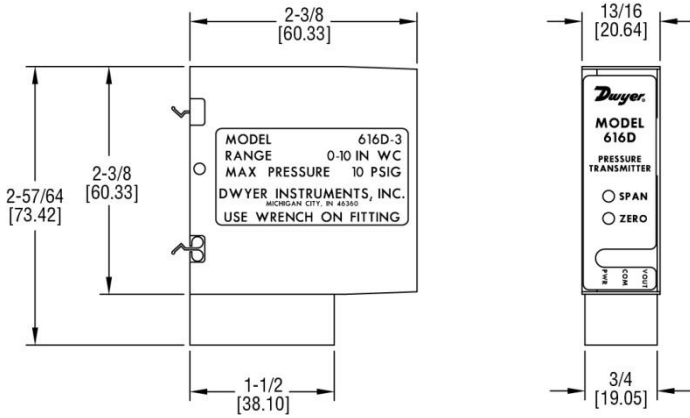
### SPECIFICATIONS

<b>Service</b>	Air and non-combustible, compatible gases.
<b>Wetted Materials</b>	Consult factory.
<b>Accuracy</b>	±0.25% FS @ 77 °F (25 °C).
<b>Thermal Effect</b>	±0.02% FS/°F (±0.036% FS/°C).
<b>Stability</b>	±1% FS/yr.
<b>Temperature Limits</b>	14 to 185 °F (-10 to 85 °C).
<b>Pressure Limits</b>	See chart on catalog page.
<b>Power Requirements</b>	10 to 35 VDC (2-wire); 17 to 36 VDC, or isolated 21.6 to 33 VAC (3-wire).
<b>Output Signal</b>	4 to 20 mA (2-wire); 0 to 10 VDC (3-wire).
<b>Zero and Span Adjustments</b>	Push buttons.
<b>Loop Resistance</b>	Current output: 0 to 1250 Ω max; Voltage output: Load resistance 1 kΩ min.
<b>Current Consumption</b>	40 mA max.
<b>Electrical Connections</b>	Screw-type terminal block.
<b>Process Connections</b>	1/8" female NPT. Accessories included are 2 barbed fittings for 1/8" (3.12 mm) and 3/16" (4.77 mm) ID rubber or vinyl tubing.
<b>Mounting Options</b>	Vertical, on a 1.378" (35 mm) DIN rail.
<b>Weight</b>	4.8 oz (136 g).
<b>Agency Approvals</b>	CE.

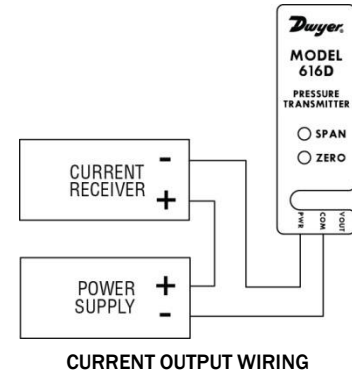




## DIMENSIONS

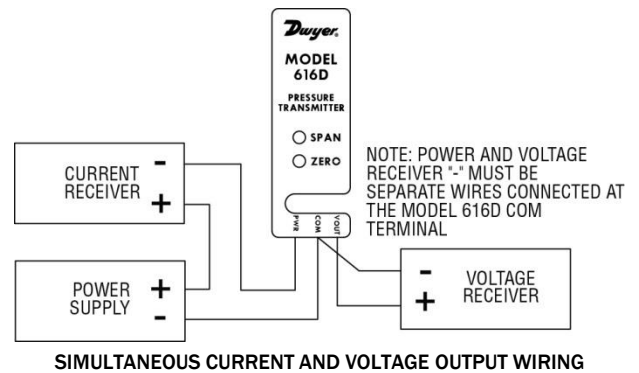
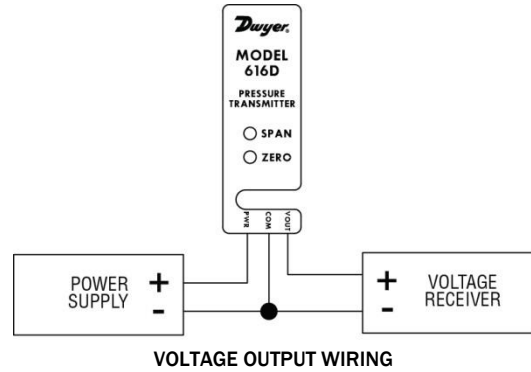
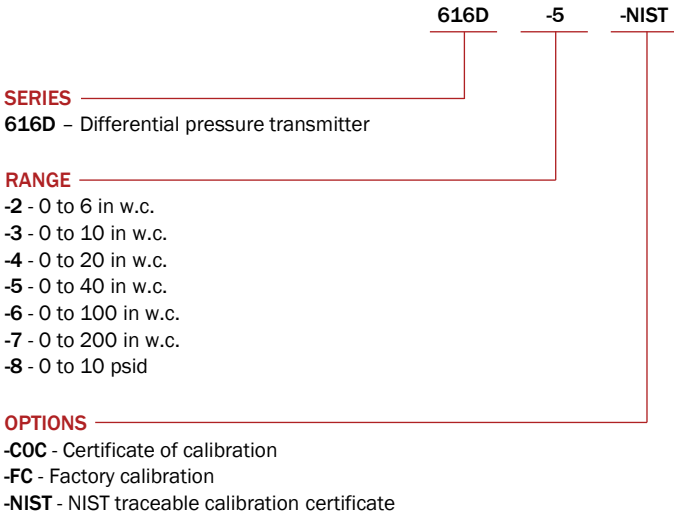


## WIRING DIAGRAM



## HOW TO ORDER

Use the **bold** characters from the chart below to construct a product code



## ACCESSORIES

Model	Description
A-360	Aluminum DIN rail, 1 m

Important Notice: Dwyer Instruments, Inc. reserves the right to make changes to or discontinue any product or service identified in this publication without notice. Dwyer advises its customers to obtain the latest version of the relevant information to verify, before placing any orders, that the information being relied upon is current.

