

INDICATORS

380 Synergy Series

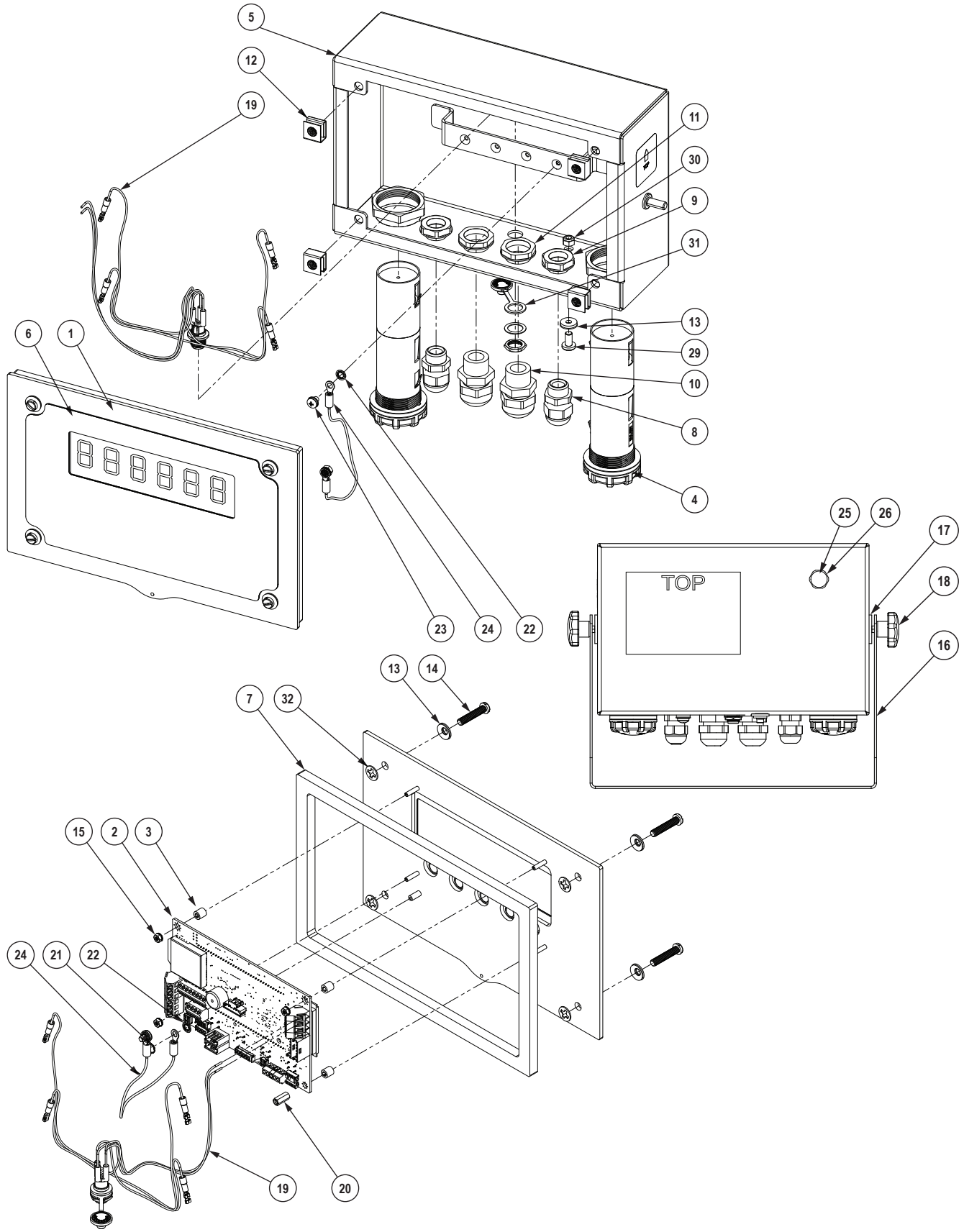


Part Number/Price

Ref#	Part#	Description	Price
1	201041	Front cover, 380 Universal battery powered	\$35.00
2	202269	Board assy, CPU 380 indicator main CPY board, rohs	\$185.00
3	202064	Spacer, round nylon M3 x 0.250 x .260	\$1.00
4	205136	Holder, battery 2c c-size battery holder, front panel IP67 bulgin bxs002-1	\$45.00
5	201040	Enclosure, 380 universal battery powered	\$175.00
6	202824	Overlay, 380 synergy indicator	\$30.00
7	203691	Gasket, 380 synergy battery powered indicator	\$15.00
8	15626	Cord grip, PG9 plastic	\$4.00
9	15627	Lock nut, PG9 plastic	\$1.50
10	68600	Cord grip, PG11	\$4.00
11	68601	Nut, PG11 black nylon	\$1.00
12	205800	Nut, M5x0.8 clip on floating hex nut zinc plated	\$3.00
13	46381	#10, bonded sealing washer, 18-8 stainless steel	\$2.00
14	205687	Screw, mach M5x0.8x25 mm slotted drilled cheese head sst	\$3.00
15	202061	Nut, M3x0.5 hex kep sst	\$1.00
16	29635	Stand, tilt sst	\$35.00
17	103988	Washer, nylon .515-.52	\$1.00
18	180825	Knob, M6x1 threaded thru 32 mm dia 7-lobe nylon zn-pltd steel	\$6.00
19	204557	Cable assy, power harness 380 synergy	\$60.00
20	205753	Standoff, M3x0.5x12 mm f/f nickel plated brass	\$6.00
21	180826	Nut, kep M4x0.7 external tooth lock washer 18-8 sst	\$2.00
22	180856	Washer, M4 internal tooth sst	\$2.00
23	194488	Screw, mach M4-0.7x6 phillips pan head zinc finish steel external tooth washer sems machine screw	\$1.00
24	15601	Wire, ground 6 in w/no 8 eye connector	\$4.20
25	88733	Vent, breather sealed gortex membrane black plastic	\$22.00
26	88734	Nut, breather vent M12x1 thread	\$1.05
29	150800	Screw, mach M5-0.8x10 pan phillips sst	\$1.00
30	187876	Nut, lock M5 nylon insert A2 sst	\$1.00
31	205294	Seal, power jack seal cap	\$4.00
32	205884	Washer, M5 self-retaining nylon 0.177 id x 0.453 od x 0.032	\$2.00

Indicators/Controllers

INDICATORS
380 Synergy Series



Indicators/Controllers