

NEW 380 Synergy Series

Digital Weight Indicator



Standard Features

- LCD display, six-digits 1 in (25 mm) tall
- Alkaline battery powered; requires 4 C-cell batteries (not included)
- Push button and keyed tare
- Two communication ports: RS-232 (three-wire) and USB 2.0
- Five-tactile buttons
- Configurable print formats
- 304 stainless steel, IP66 rated enclosure

Optional

- Time/date
- External power supply

Approvals



Specifications

Power:

Batteries: Four alkaline C-cell
Optional: 115/230 VAC to 12VDC adapter

Power Consumption:

6 W max with optional external power adapter

Battery Life:

100 hours on Alkaline batteries with one 350 ohm load cell, no backlight; 45 hours on Alkaline batteries with four 350 ohm load cells, low backlight; 20 hours on Alkaline batteries with eight 350 ohm load cells, low backlight

Excitation Voltage:

5 VDC, 8 x 350 ohm or 16 x 700 ohm load cells

Analog Signal Input Range:

-0.3 mV to +30 mV
Common Mode Voltage 0.7V to 3.3V

Analog Signal Sensitivity:

1 μ V/graduation recommended

A/D Sample Rate:

5, 6, 10, 12, 20, 25, 40, 50, 80, 100Hz,
software selectable

Resolution:

Internal: 8,000,000 counts
Display: 100,000

System Linearity:

Within 0.01% full scale

Communication Ports:

One RS-232 (three-wire)
One USB 2.0

Status Annunciators:

g, lb, t, tn, kg, oz, battery level, PT, LT, gross, zero, unstable, net

Display:

Six 1 in (25 mm) tall, LCD digits

Keys/Buttons:

Five-tactile buttons

Temperature Range:

Legal: 14°F to 104°F (-10°C to 40°C)
Industrial: 14°F to 122°F (-10°C to 50°C)

Dimensions (W X H X D):

11.58 in x 8.57 in x 4.05 in
(30 cm x 22 cm x 10 cm)

Weight:

6.25 lb (3 kg)

Rating/Material:

IP66, 304 Stainless steel

Warranty:

Two-year limited warranty

EMC Immunity:

10 V/m

Approvals:

NTEP CC 21-051, Class III/III, 10,000 d
Measurement Canada AM-6184
CE Marked
cULus

NEW 380 Synergy Series

Digital Weight Indicator

Part Number/Price

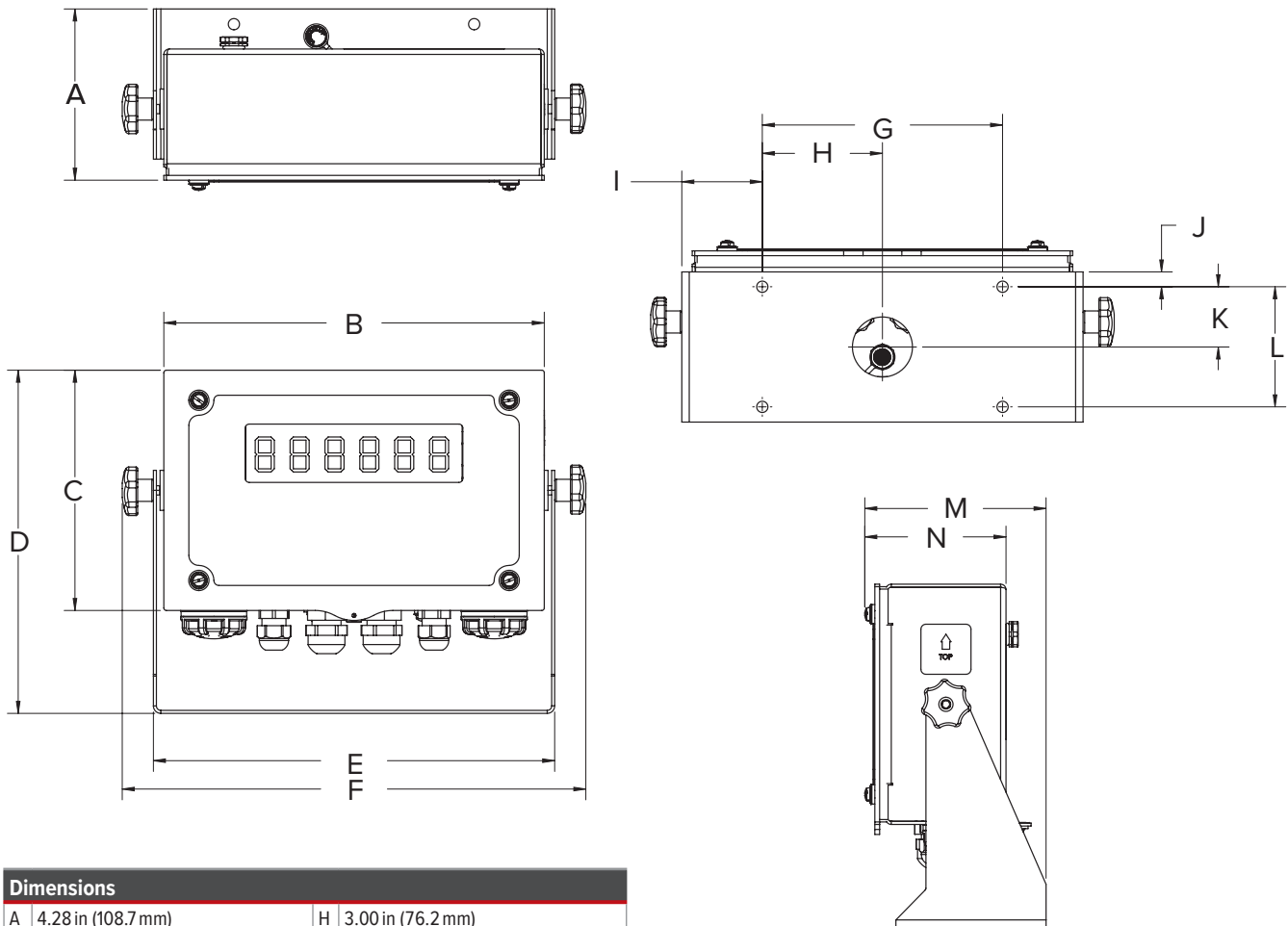
Part #	Description	Est. Weight	Price
115-230 VAC			
202711	Indicator, 380 Universal Segmented LCD Display, Battery Powered	6.25 lb (3 kg)	Consult

Options/Accessories

Part #	Description	Price
206433*	External AC adapter	Consult
204258	Real time clock module	Consult

To have your option factory installed, please specify when placing your order.

□ □ * US plug (NA) - Type A



Dimensions			
A	4.28 in (108.7 mm)	H	3.00 in (76.2 mm)
B	9.50 in (241.3 mm)	I	2.01 in (51.1 mm)
C	6.00 in (152.4 mm)	J	0.37 in (9.4 mm)
D	8.57 in (217.6 mm)	K	1.51 in (38.4 mm)
E	10.02 in (254.5 mm)	L	3.00 in (76.2 mm)
F	11.58 in (294.1 mm)	M	4.53 in (115.1 mm)
G	6.00 in (152.4 mm)	N	3.53 in (90.0 mm)