



3719
Assembly



2756, 2757 Wet-Tap
Electrodes
(Sold Separately)

The Signet 3719 pH/ORP Wet-Tap allows installation and removal of pH or ORP electrodes, even under process pressure, without the need for process shutdown during routine electrode maintenance and calibration.

Process isolation is achieved during electrode retraction with two sets of double O-ring seals on a unique and compact retraction assembly; no separate valve is required.

The Wet -Tap body design allows full access to the plunger and internal O-rings, to easily perform maintenance such as lubrication/replacement of O-rings and the cleaning of the internal plunger/housing to remove material build up in difficult applications.

A patented cam-activated automatic locking mechanism, SafeLoc™, and the short stroke design help to assure operator safety. The wet-tap unit can be mounted at any angle and can be used with the Signet DryLoc® Wet-Tap electrodes.

NOTE:

This product is assembled using Synthetic grease with PTFE.

Features

- **Electrode removal without process shutdown**
- **Space saving 45 mm (1.75 in.) short-stroke design**
- **Sealed pneumatic dampening for smooth and safe operation**
- **SafeLoc™: Cam-activated automatic locking mechanism**
- **Protects electrode sensing surface from breakage**
- **Suitable for mounting in any orientation**
- **Process threaded connection NPT or ISO**
- **Fully serviceable internal O-rings**

Applications

- **Aquatic Animal Life Support Systems**
- **Recreational Water Monitoring**
- **Water & Wastewater Treatment**
- **Effluent Monitoring**
- **Neutralization Systems**
- **Sanitization Systems**
- **Pool and Spa Control**

Specifications

General		
Compatible DryLoc® Electrodes	2756-WTP, 2756-WTP-1	plastic
	2757-WTP	plastic
Process Connection	3719-11	NPT 1½ in.
	3719-21	NPT 2 in.
	3719-12	ISO 7/1 - R 1.5
	3719-22	ISO 7/1 - R 2
Maximum Flow Velocity	3 m/s	10 ft/s
Materials		
Retraction Housing (Wetted)	CPVC	
O-rings (Wetted)	FKM (O-Rings are lubricated with Super Lube multi-purpose grease with PTFE)	
Locking Shroud	PVC	
Hardware	316 stainless steel	
Max. Temperature/Pressure Rating		
Operating Pressure	100 psi (6.9 bar) maximum @ 25 °C	
Shipping Weight		
	1.2 kg	2.7 lb
Standards/Approvals		
	Manufactured under ISO 9001 for Quality, ISO 14001 for Environmental Management and OHSAS 18001 for Occupational Health and Safety	

See Temperature and Pressure graphs for more information

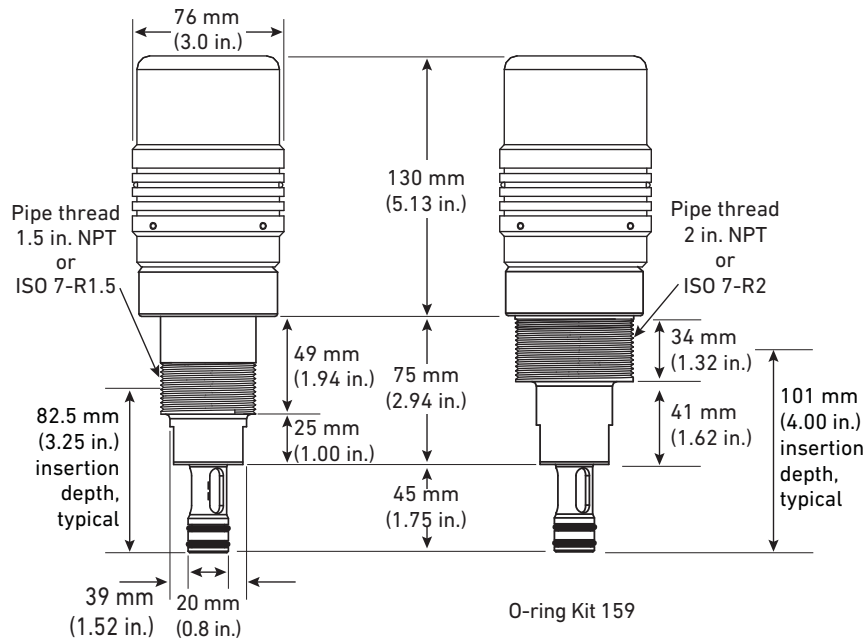
Wet-Tap Installation

System Overview	Panel Mount	Pipe, Tank, Wall Mount	4 to 20 mA Input	Automation System
	Signet Instrument 8900 9900 9950 with 2751 Sensor Electronics	Signet Instruments 9900 with 2751 Electronics and Rear Enclosure	2751 Sensor Electronics and Customer Supplied Chart Recorder, Programmable Logic Controller, or Programmable Automation Controller	2751 Sensor Electronics with 0486 Profibus Concentrator and Customer Supplied Programmable Logic Controller or Programmable Automation Controller
Signet Model 3719 Wet-Tap Assembly with Wet-Tap Electrode 3-2756-WTP or 3-2757-WTP				All sold separately
Customer supplied tees and fittings				

Dimensions

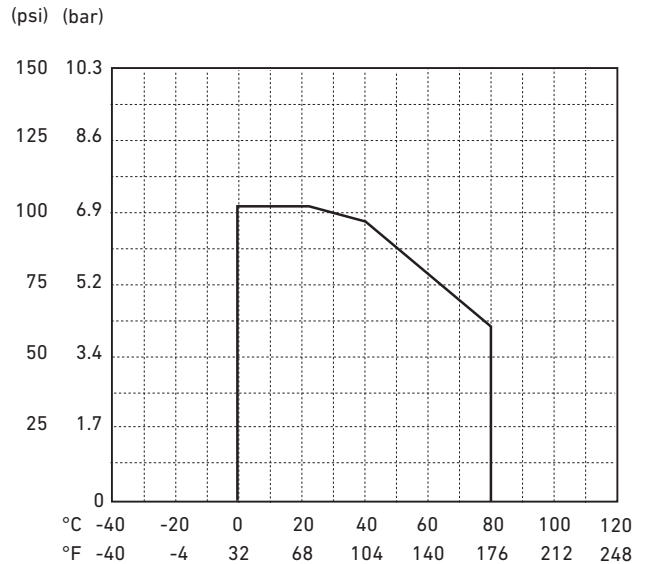
Assembly 3719-1X
 For pipe sizes 2½ in. to 4 in.
 (DN65 to DN100)

Assembly 3719-2X
 For pipe sizes 6 to 12 in.
 (DN150 to DN300)

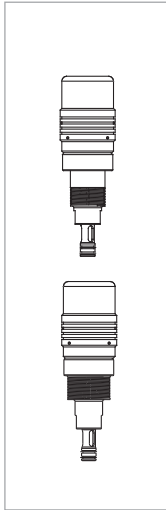


Temperature/Pressure Graph

Note:
 The pressure/temperature graphs are specifically for the Signet sensor. During system design the specifications of all components must be considered. In the case of a metal piping system, a plastic sensor will reduce the system specification.



Ordering Information



Wet-Tap Assembly

Mfr. Part No.	Code	Process Thread Connection	For Pipe Size
3-3719-11	159 000 804	1½ inch NPT	2½ to 4 in. (DN65-DN100)
3-3719-12	159 000 806	ISO 7/1-R 1.5	2½ to 4 in. (DN65-DN100)
3-3719-21	159 000 805	2 inch NPT	6 to 12 in. pipes (DN150-DN300)
3-3719-22	159 000 807	ISO 7/1-R 2	6 to 12 in. pipes (DN150-DN300)

Ordering Information

- 1) Use a mounting saddle or a standard threaded part to mount Wet-Tap assembly.
- 2) ASTM fittings are available to order; metric fittings are customer supplied.
- 3) Use -11 or -12 versions for pipe sizes 2½ in. to 4 in. (DN65-DN100)
- 4) Use -21 or -22 versions for pipe sizes 6 in. to 12 in. (DN150-DN300)

Accessories and Replacement Parts

Mfr. Part No.	Code	Description
3-3719.392	159 310 304	O-ring service kit
3-3719.390	159 000 855	3719 locking shroud (spare part)