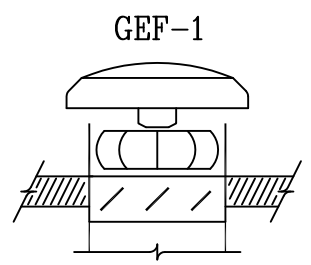
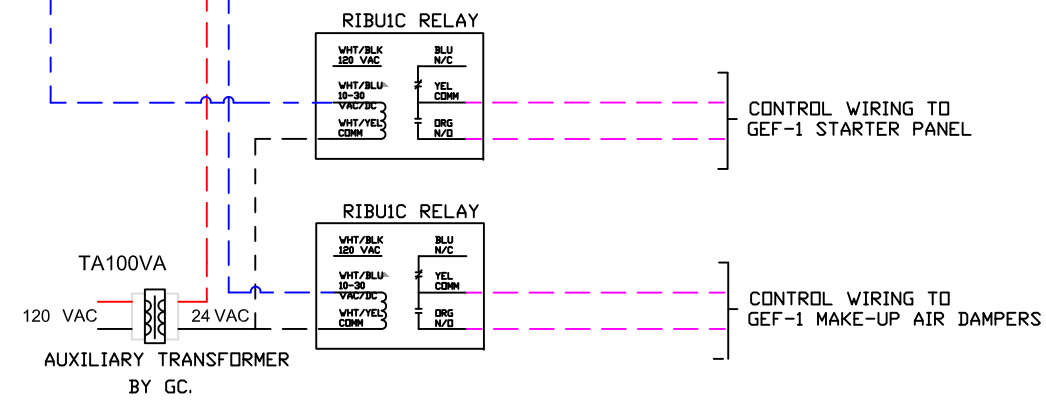
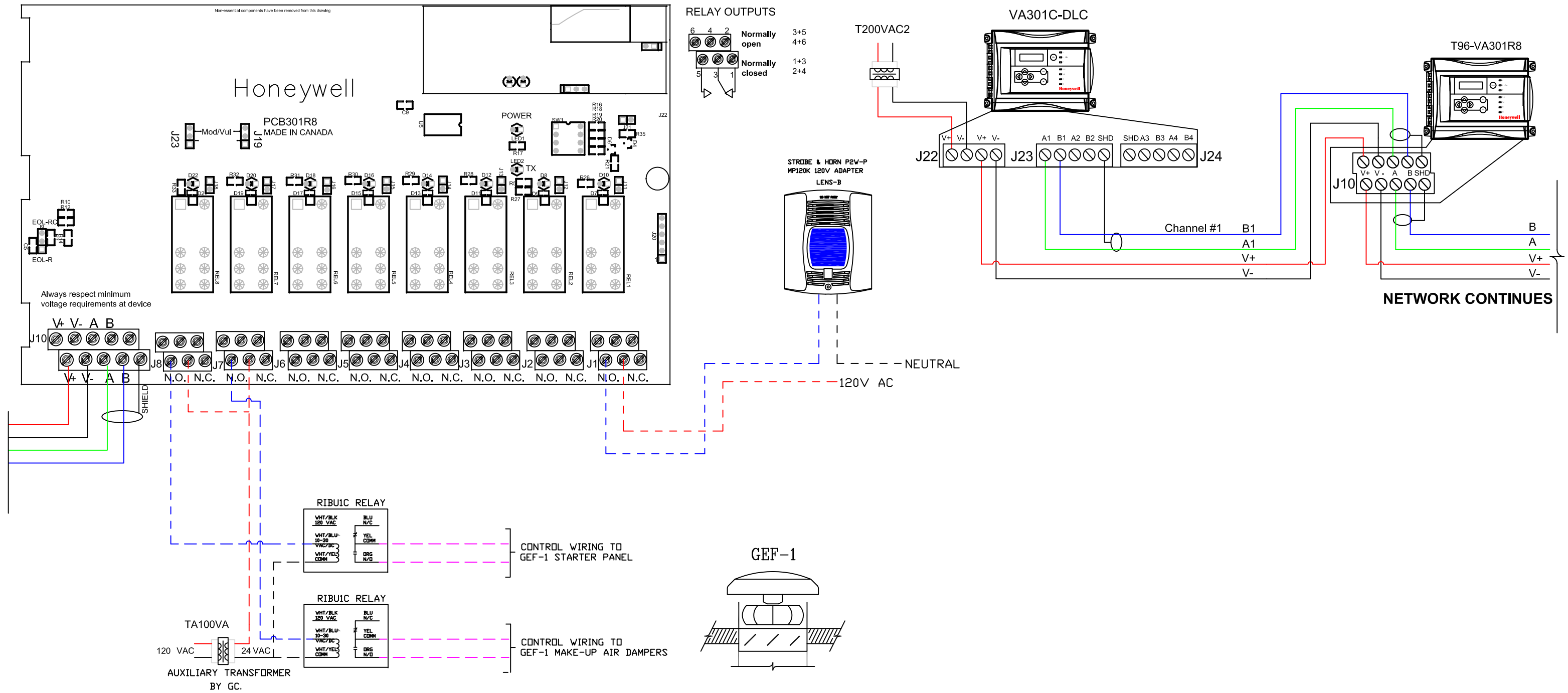


# 301R8 WIRING DETAILS



VA301R	
relay 1:	
relay 2:	
relay 3:	N/A
relay 4:	N/A
relay 5:	N/A
relay 6:	N/A
relay 7:	N/A
relay 8:	N/A

Wiring VA301C		
Channel	Wire gage	Distance (ft)
1	14 AWG	1000
2	14 AWG	1000
3	14 AWG	1000
Communication Wire Gauge: 24-2 AWG (Belden 9841)		
Twisted and shielded cable 2000 feet (600 m) per channel		
<b>NOTE: CONDUIT ENTRIES ARE LOCATED AT THE BOTTOM OF THE ENCLOSURES.</b>		

Disclaimer  
DRAWINGS ARE FOR MARKETING PURPOSES ONLY AND SHOULD NOT BE RELIED UPON BY CUSTOMER WHEN PURCHASING OR INSTALLING GAS DETECTION DEVICES. HONEYWELL IS NOT RESPONSIBLE FOR THE TYPE, SIZE, LOCATION AND SUITABILITY OF GAS DETECTION DEVICES SHOWN ON THE DRAWINGS. HONEYWELL MAKES NO CLAIM OR WARRANTY THAT THE DRAWING COMPLIES WITH LOCAL, STATE OR NATIONAL BUILDING OR SAFETY CODES. CODE COMPLIANCE IS THE SOLE RESPONSIBILITY OF THE CUSTOMER. HONEYWELL DISCLAIMS ALL WARRANTIES AND LIABILITY IN CONNECTION WITH THE DRAWING.

See the wiring details on the sheets included.  
Consult the user guide for complete information.  
The Honeywell products must be easy to access for maintenance.

Type of gas:					
Alarm level A					
Alarm level B					
Alarm level C					

Project:	301R8 WIRING DETAILS	
Drawing number:		
Rev.:	Date:	SEPT 26, 2012
Drawn by:	SJI	
# Command:	N/A	Page: (1/1)

**Honeywell** 405 Barclay Boulevard  
Lincolnshire, IL 60069  
**Analytics** Tel.: 1-800-563-2967  
Fax.: 1-888-967-9938  
www.honeywellanalytics.com