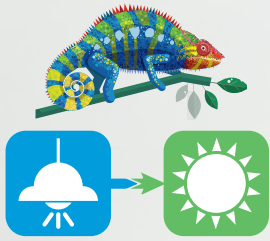


LevelPro® — 250B Series

Battery Powered Liquid Level Display

ICON™ Corrosion-Free
PROCESS CONTROLS Instrumentation Equipment

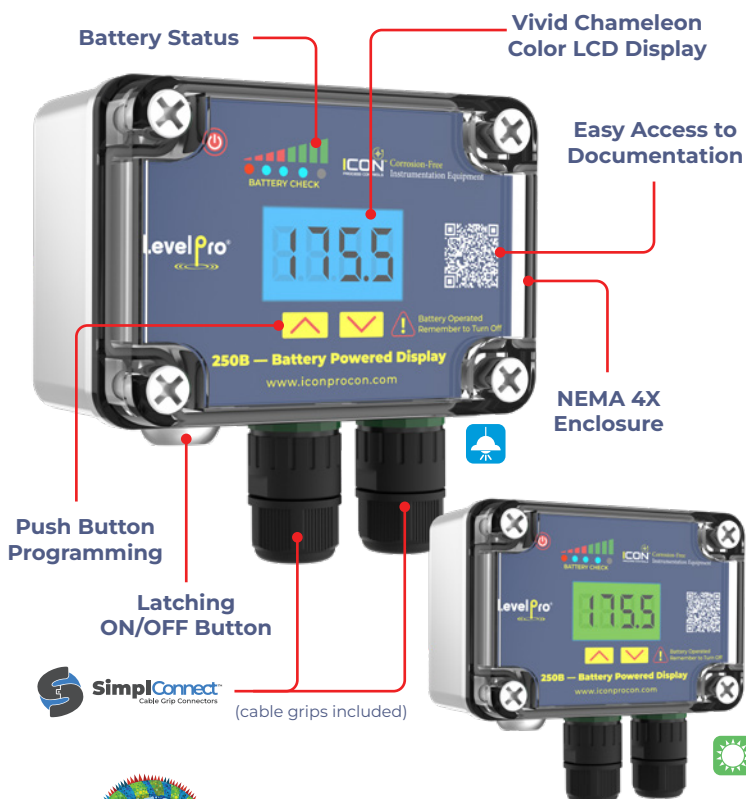


Chameleon Color Display
Outdoor Visibility Display Automatically
Changes from **Blue** to **Green**



LevelPro® — 250B Series

Battery Powered Liquid Level Display



Features

- ✓ Battery Powered
- ✓ Super Bright 4 Digit LCD Display
- ✓ Chameleon Color Display
- ✓ 4-20mA Input
- ✓ Momentary or Adjustable Relay Timer*
- ✓ NEMA 4X Enclosure
- ✓ All Plastic - Corrosion Resistant
- ✓ All Cord Grips Included
- ✓ Simple Programming

The LevelPro® level process displays and controllers are the industry's most rugged and reliable wall-mount remote level displays.

The LevelPro® 250B Series level process display and controller is the industry's most rugged and reliable wall-mount remote level display.

LevelPro® 250B Series comes as a complete all-in-one unit, out of the box it is ready to use. Included is a vivid LCD display, NEMA 4X enclosure, polycarbonate faceplate, cord grips and plastic captive screws.

The industrial design of the 250B Series ensures it will withstand the industry's most corrosive environments.



Chameleon Color Display

Outdoor Visibility Display Automatically Changes from **Blue** to **Green**

ITC250-B — Battery Operated Level Display	
Part Number	Input
ITC250-B	4-20mA

Battery Replacements	
Part Number	Material
ITC250-B-LiRB	Lithium Ion

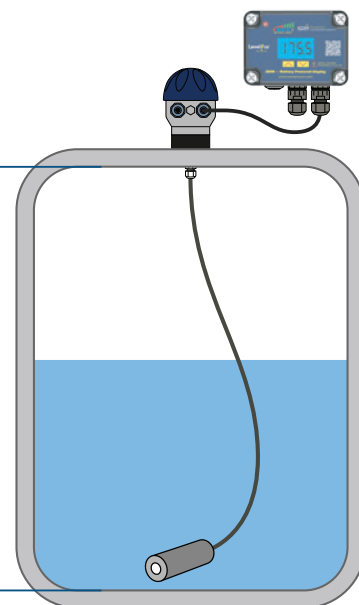
Specifications

Display	4 Digit Chameleon Color LCD (38mm x 22mm)
Displayed Values	-999 ± 9999
Power Supply	2600mAh Battery Powered
Protection Class	NEMA 4X IP67
Accuracy	0.1% @ 25°C One Digit
Operating Temperature	-20 - 158°F (-29 - 70°C)
Storage Temperature	-20 - 158°F (-29 - 70°C)
Protection Class	NEMA 4X IP67
Case	Wall Mounted Material - Polycarbonate
Dimensions (WxNxH)	110 x 105 x 67 mm



20mA Full

4mA Empty

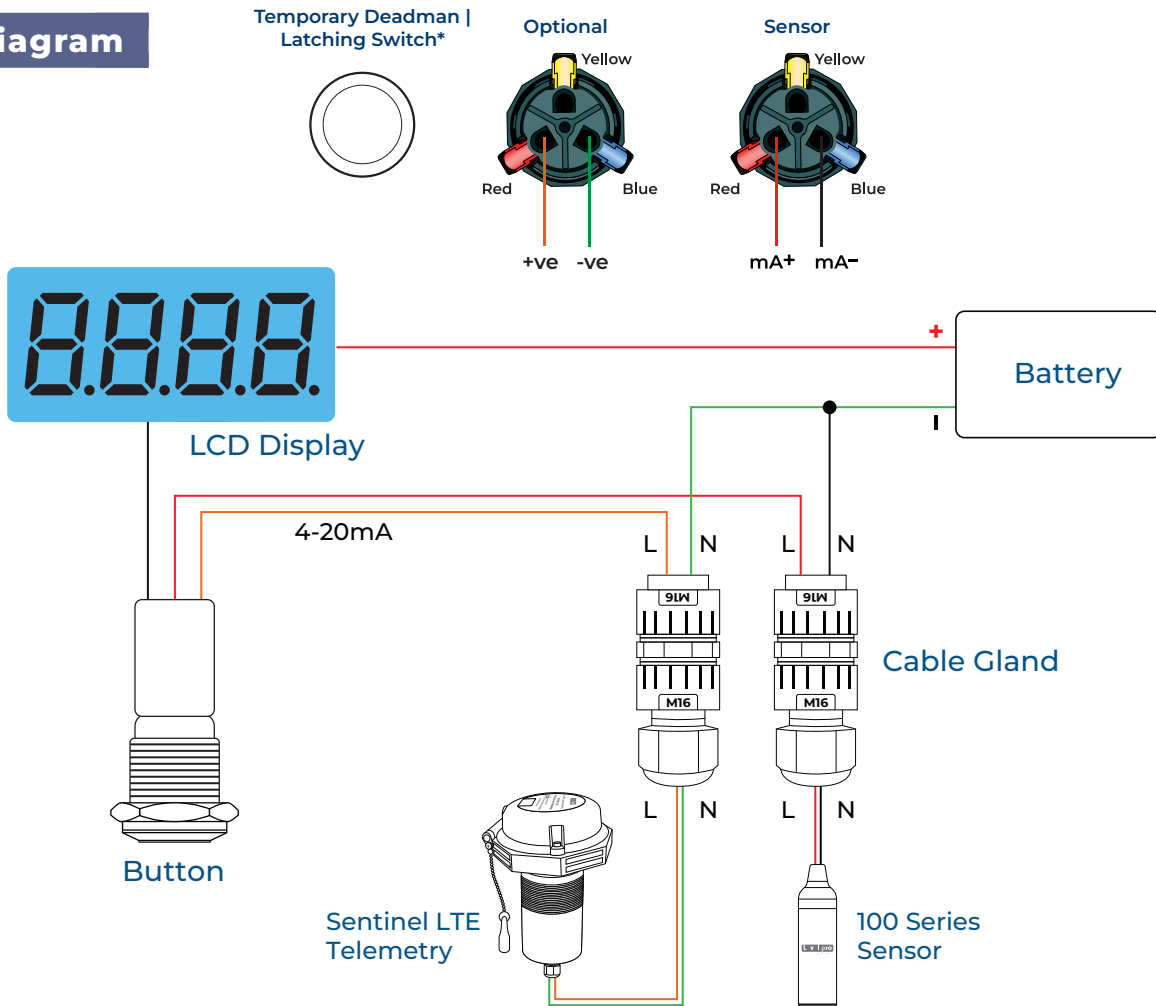


LevelPro® — 250B Series

Battery Powered Liquid Level Display



Wiring Diagram



Dimensions

