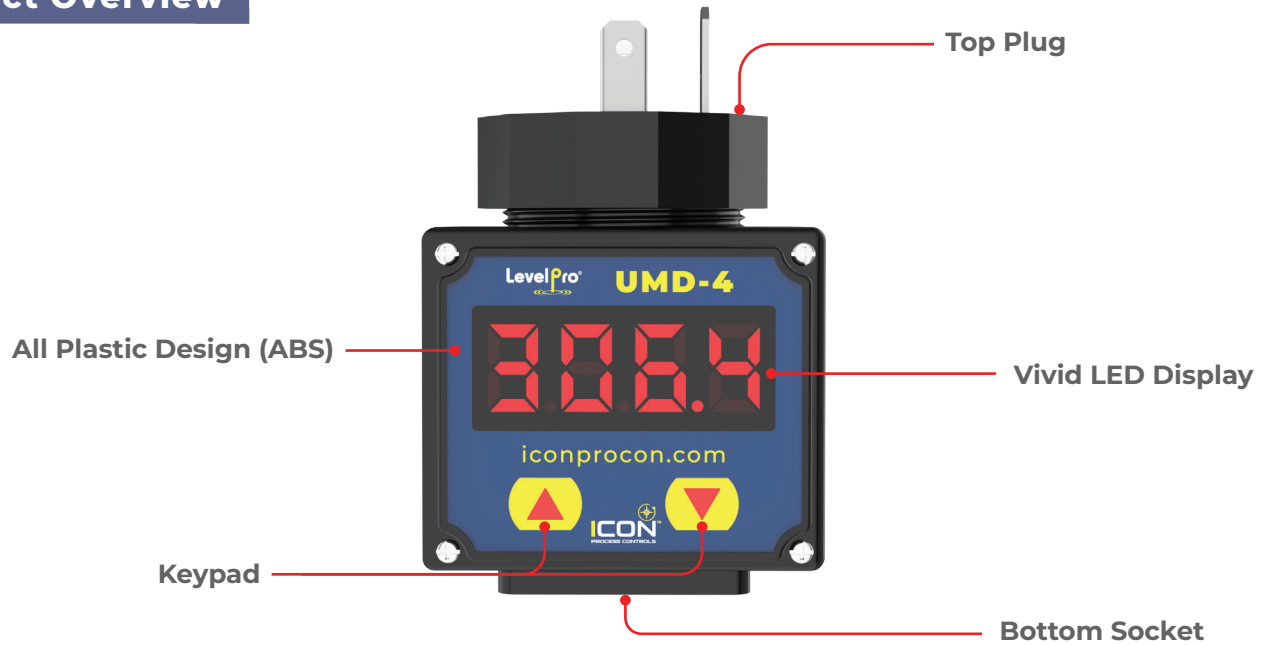


# User Manual

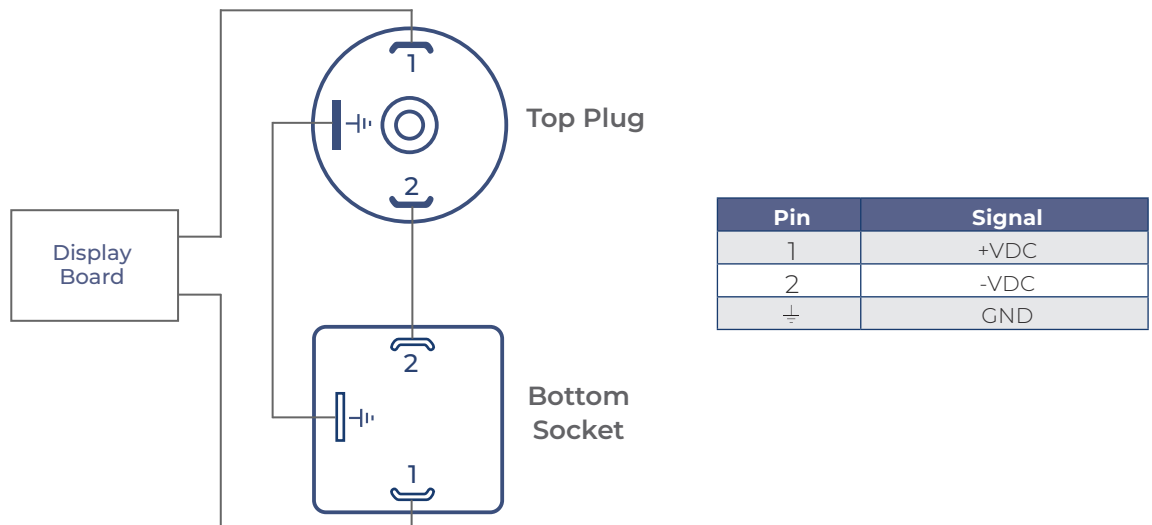


Read the user's manual carefully before starting to use the unit.  
Producer reserves the right to implement changes without prior notice.

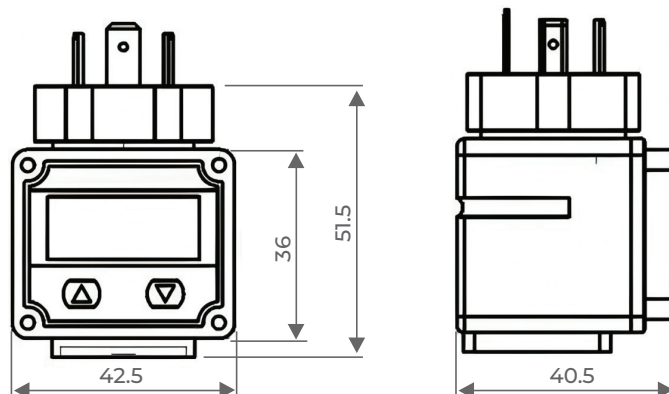
## Product Overview



## Wiring



## Dimensions



### Keypad Instructions

Key	Description
▲	<b>Measurement Mode</b> - Long press for 5 seconds to enter the main variable zero.
▼	Add one for setting parameters in setting mode, add one for continuous shift in long time.
▲ + ▼	<ul style="list-style-type: none"> <li>■ <b>Set Key</b> - Press &amp; hold ▲ + ▼</li> <li>■ <b>Measurement Mode</b> - Press ▲ or ▼ key in setting status.</li> <li>■ <b>Set Mode</b> - Press ▲ or ▼ to set or confirm parameter revision</li> </ul>



### Menu Instructions

#### Advanced User Menu

- Password "0066", Transmitter manufacturer set for display range.

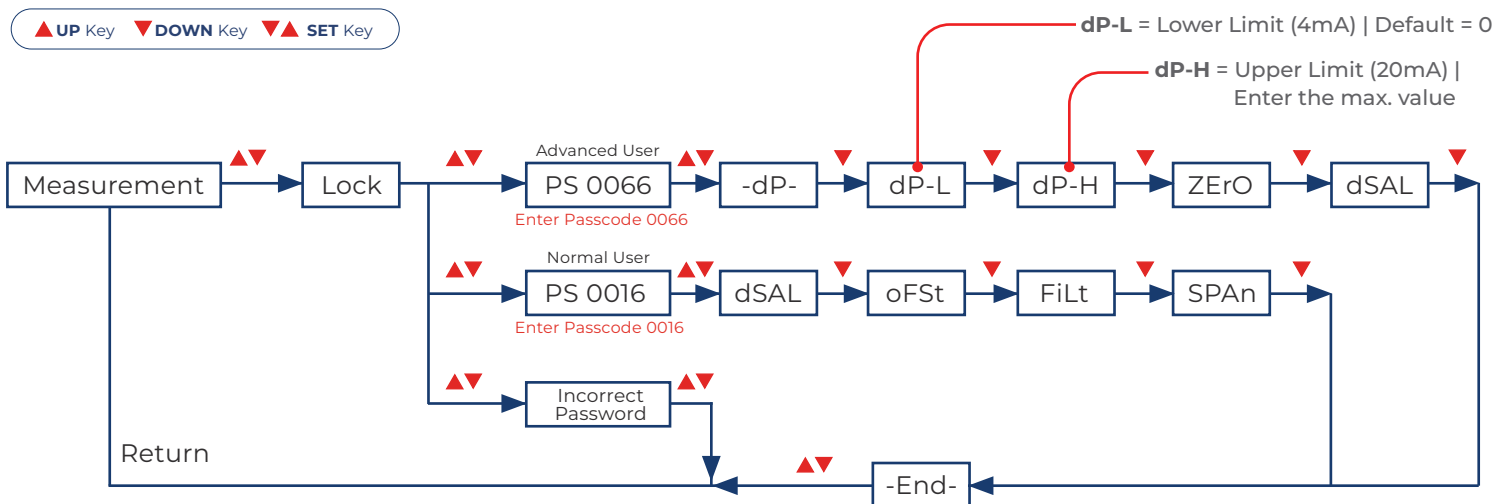
#### Normal User Menu

- Password "0016", Set up for special process requirements of transmitter.

#### Note:

- In the normal user menu setting, if there is no key operation within 60 seconds, the setting will automatically exit and return to Measurement Mode.
- The meter saves all settings only when it exists the Menu normally.

### Programming Diagram



### Password Setting Menu

- **Lock** : Password input menu, if the password is wrong or there is no key operation within 30 seconds, will automatically return to the Measurement Mode.

### Parameters in Normal User Menu

Parameter	Range	Description
<p><b>dSAL</b> Overrange Alarm Switch</p>	0 ~ 1	<p>This setting indicates that the display will flash when the pressure value exceeds 125% of the upper limit of the calibration range or is below 25% of the lower limit of the range.</p> <p>"0" - Turn off the alarm function "1" - Turn on the alarm function</p> <p><b>Default = 0</b></p>
<p><b>oFSt</b> Display Offset Values</p>		<p>By setting the value of this menu, you can offset the display value.</p> <p><b>Default = 0</b></p>
<p><b>FiLt</b> Filter Constant Setting</p>	0 ~ 4	<p>The larger the value of the filter constant is, the stronger the interference suppression ability will be, but the sensitivity will decrease. The implied value of this menu value is "2", which is a medium filtering effect and can adapt to most applications.</p> <p><b>Default = 2</b></p>
<p><b>SPAn</b> Sensor Sensitivity Correction Coefficient</p>		<p>In the process of using the transmitter, if the sensitivity of the sensor changes, can be corrected through this menu. Before the sensitivity correction, it should be corrected through the main variable reset function of the zero error of the meter head, in order to ensure that the sensitivity corrected after the linear transmission is normal.</p> <p><b>Default = 1</b></p>

### Parameters in Advanced User Menu

Parameter	Range	Description
<b>dP</b> Set for Display Resolution	0 ~ 1	The display resolution refers to the number of decimal places displayed in the measurement mode, which can be set by the user according to the field use requirements. The more decimal places displayed is not the better, and the stability of the display value should be guaranteed first. <b>Default = 0</b>
<b>dP-L</b> 4mA Value	-1999 ~ 9999	Display range lower limit setting. <b>4mA - Default = 0</b>
<b>dP-H</b> 20mA Value	-1999 ~ 9999	Display range upper limit setting. <b>20mA - Enter Maximum Value</b>
<b>ZErO</b> Zero Full Shielding Coefficient	0.0 ~ 1.0	<b>Default = 0</b>
<b>dSAL</b> Overrange Alarm Switch	0 ~ 1	This set point indicates when the pressure value exceeds 125% of the upper limit of the calibration range or falls below 25% of the lower limit of the range, it will blink. "0" - Turn off the alarm function "1" - Turn on the alarm function <b>Default = 0</b>

### Exit Settings

- **End:** Exit Setup Menu

From this menu, press "▲" and "▼" at the same time to save the data and return to the Measurement Mode.

### Warranty, Returns & Limitation

## Warranty

Icon Process Controls Ltd warrants to the original purchaser of its products that such products will be free from defects in material and workmanship under normal use and service in accordance with instructions furnished by Icon Process Controls Ltd for a period of one years from the date of sale of such products. Icon Process Controls Ltd obligation under this warranty is solely and exclusively limited to the repair or replacement, at Icon Process Controls Ltd option, of the products or components, which Icon Process Controls Ltd examination determines to its satisfaction to be defective in material or workmanship within the warranty period. Icon Process Controls Ltd must be notified pursuant to the instructions below of any claim under this warranty within thirty (30) days of any claimed lack of conformity of the product. Any product repaired under this warranty will be warranted only for the remainder of the original warranty period. Any product provided as a replacement under this warranty

## Returns

Products cannot be returned to Icon Process Controls Ltd without prior authorization. To return a product that is thought to be defective, go to [www.iconprocon.com](http://www.iconprocon.com), and submit a customer return (MRA) request form and follow the instructions therein. All warranty and non-warranty product returns to Icon Process Controls Ltd must be shipped prepaid and insured. Icon Process Controls Ltd will not be responsible for any products lost or damaged in shipment.

## Limitations

This warranty does not apply to products which: 1) are beyond the warranty period or are products for which the original purchaser does not follow the warranty procedures outlined above; 2) have been subjected to electrical, mechanical or chemical damage due to improper, accidental or negligent use; 3) have been modified or altered; 4) anyone other than service personnel authorized by Icon Process Controls Ltd have attempted to repair; 5) have been involved in accidents or natural disasters; or 6) are damaged during return shipment to Icon Process Controls Ltd reserves the right to unilaterally waive this warranty and dispose of any product returned to Icon Process Controls Ltd where: 1) there is evidence of a potentially hazardous material present with the product; or 2) the product has remained unclaimed at Icon Process Controls Ltd for more than 30 days after Icon Process Controls Ltd has dutifully requested disposition. This warranty contains the sole express warranty made by Icon Process Controls Ltd in connection with its products. ALL IMPLIED WARRANTIES, INCLUDING WITHOUT LIMITATION, THE WARRANTIES OF MERCHANTABILITY AND FITNESS FOR A PARTICULAR PURPOSE, ARE EXPRESSLY DISCLAIMED. The remedies of repair or replacement as stated above are the exclusive remedies for the breach of this warranty. IN NO EVENT SHALL Icon Process Controls Ltd BE LIABLE FOR ANY INCIDENTAL OR CONSEQUENTIAL DAMAGES OF ANY KIND INCLUDING PERSONAL OR REAL PROPERTY OR FOR INJURY TO ANY PERSON. THIS WARRANTY CONSTITUTES THE FINAL, COMPLETE AND EXCLUSIVE STATEMENT OF WARRANTY TERMS AND NO PERSON IS AUTHORIZED TO MAKE ANY OTHER WARRANTIES OR

If any portion of this warranty is held to be invalid or unenforceable for any reason, such finding will not invalidate any other provision of this warranty

For additional product documentation and technical support visit [www.iconprocon.com](http://www.iconprocon.com) | e-mail: [sales@iconprocon.com](mailto:sales@iconprocon.com) [support@iconprocon.com](mailto:support@iconprocon.com) | Ph: 905.469.9283



## Corrosion-Free Instrumentation Equipment