



SPECIAL APPLICATION GAUGES

Series 1785 Manifold Pressure Test Gauges

DESCRIPTION

Model 1785 2-1/2" manifold pressure test gauges offer several ranges for use with various types of refrigerants, including R-12, R-22, R-502, R-134A and R-410A. The gauges can be permanently mounted in cooling systems or used on portable manifolds.

Type CR-1780 is supplied with 350 psi retard scale to accommodate accidental over-pressure. All gauges feature a one piece polycarbonate ring and window. This provides quick, easy access to internal front adjusting screw for resetting the pointer.

Gauges are available in English, dual scale, or metric-only ranges. Custom sizes and dials are available for OEM customers.

SPECIFICATIONS

SIZES: 2-1/2"

RANGES: P-1785 – 0-500 psi, 0-800 psi

CR-1785 – 30" Hg VAC, 0-120 psi retarded to 350 psi; 30" Hg VAC, 0-250 psi retarded to 500 psi

ACCURACY: ±3-2-3% of span (Grade B), applies to non-retard portion

BOURDON TUBE: Phosphor bronze

WINDOW AND RING: Threaded, polycarbonate

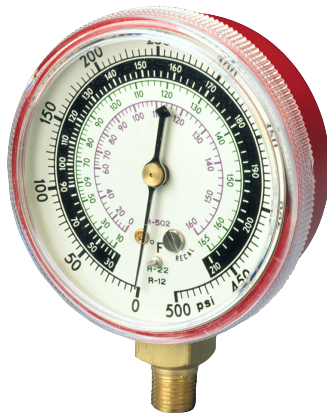
MOVEMENT: Brass, silicone treated; adjustable with re-calibration screw

DIAL: Steel, white background with black markings; refrigerant temperature scales in red

POINTER: Aluminum, black finish

CASE: ABS (P-1785 – red; CR-1785 – blue)

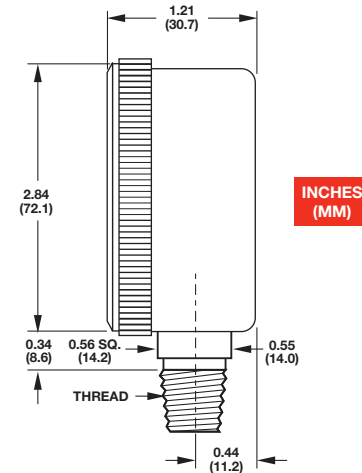
CONNECTION: 1/8-27 NPT LM, brass



Model P-1785



Model CR-1785



Spec Number Selection Chart		
Model Number	Description	Spec No.
CR-1785	30" VAC -0-120/350 psi, R-12, R-22, R502 temperature scale	169128
P-1785	0-500 psi, R-12, R-22, R502 temperature scale	169129
CR-1785	30" VAC-0-120/350 psi, R-134A temperature scale in °F and °C	169130
P-1785	0-500 psi, R-134A temperature scale in °F and °C	169131
CR-1785	30" VAC-0-250/500 psi, R-410A temperature scale in °F and °C	169132
P-1785	0-800 psi, R-410A temperature scale in °F and °C	169133