

Data Sheet

1377 Duragauge® Pressure Gauge

FEATURES

- Solid front safety case with pressure relief back
- Dial sizes 4½", 6" and 8½"
- ±0.5% of span (ASME B40.100 Grade 2A)
- Customizable dial printing options

TYPICAL USES

- Refineries
- Chemical and petrochemical plants
- Offshore oil rigs
- Water and wastewater pressure control
- Pulp and water
- Mining and metals
- Equipment skids
- Specialized OEM equipment



1377
4½" dial size



SPECIFICATIONS

| | |
|------------------------------|--|
| Accuracy: | ±0.5% of span (ASME B40.100 Grade 2A) |
| Dial Sizes: | 4½", 6", 8½" |
| Process Connection: | ¼ NPT, ½ NPT, ¾"-18 UNF-2B (high pressure connection) |
| Process Connection Location: | Lower, back |
| Ranges: | Vacuum, compound to 30,000 psi |
| Case Style: | Solid front with pressure relief back |
| Movement: | Rotary, adjustable, 400 SS, Teflon® coated |
| Window Material: | Glass (STD.), safety glass, acrylic, non-glare glass (OPT.) |
| Pointer: | Micrometer, adjustable, aluminum, maximum |
| Weather Protection: | Dry case: Case not sealed, recommended for weather protected environment only |
| Mounting: | Stem, surface, flush or remote |
| Dampening: | PLUS! ™ Performance |
| Approvals: | CRN |

WETTED COMPONENTS

| Bourdon Tube | Process Connection | Joints |
|-------------------|--------------------|---------------|
| 316L SS | 316L SS | Welded |
| 316L SS | Steel | Welded |
| K-Monel® 500 Tube | Monel® 400 | Welded |
| C510 Phos. Bronze | Brass | Silver brazed |

NON-WETTED COMPONENTS

| Case | Ring | Back Cover |
|-----------------------|-----------------------------|------------|
| Aluminum, black epoxy | Steel, hinged, black enamel | 300 SS |

KEY BENEFITS

- Ideal for panel mounting
- Available 8½" dial size for remote reading

MIN/MAX TEMPERATURE LIMITS

| Version | Ambient | Process | Storage |
|---------|-----------------------------------|------------------------------------|------------------------------------|
| Dry | -20°F to 200°F (-29°C to 93°C) | -20°F to 250°F (-29°C to 121°C) | -40°F to 250°F (-40°C to 121°C) |

1377 Duragauge® Pressure Gauge

| ORDERING CODE | Example: | 451377 | S | S | 04 | L | XLL | 15# |
|---|----------|--------|---|---|----|---|-----|-----|
| Dial Size/Model Code | | | | | | | | |
| 451377 - 4½" aluminum case | | 451377 | | | | | | |
| 601377 - 6" aluminum case | | | | | | | | |
| 851377 - 8½" aluminum case | | | | | | | | |
| System (tube and process connection) | | | | | | | | |
| A - Bronze tube, brass process connection, max. pressure connection 1,000 psi | | | | | | | | |
| P - K-Monel® 500 tube, Monel® 400 process connection, max. pressure 30,000 psi | | | | | | | | |
| R - 316L SS tube, steel process connection, max. pressure 20,000 psi | | | | | | | | |
| S - 316 SS tube and 316L SS process connection, max. pressure 20,000 psi | | | S | | | | | |
| WW - Inconel® 718 tube and process connection | | | | | | | | |
| Case Design | | | | | | | | |
| S - Solid front case, dry | | | | | | | | |
| Process Connection Sizes | | | | | | | | |
| 02 - ¼ NPT Male, N/A for ranges over 20,000 psi | | | | | 04 | | | |
| 04 - ½ NPT Male, N/A for ranges over 20,000 psi | | | | | | | | |
| 09 - ¾ 18 UNF-2B, high pressure fitting, standard for pressures over 20,000 psi | | | | | | | | |
| Process Connection Location | | | | | | | | |
| L - Lower | | | | | | L | | |
| B - Back | | | | | | | | |
| D - Side (3 o'clock) | | | | | | | | |
| E - Side connection (9 o'clock) | | | | | | | | |
| T - Top connection | | | | | | | | |
| Options (If choosing an option(s) must include a "X") | | | | | | | | |
| Dampening | | | | | | | | |
| LL - PLUS! ™ Performance | | | | | | | LL | |
| NZ - PLUS! ™ Performance, silicone free | | | | | | | | |
| TS - Throttle screw (standard with PLUS! ™ Performance) | | | | | | | | |
| Dial | | | | | | | | |
| DA - Dial marking (text marking on the dial) | | | | | | | | |
| D3 - DuraVis™ Retroreflective Dial (4½" case only) | | | | | | | | |
| Windows/Pointers | | | | | | | | |
| PD - Acrylic window | | | | | | | | |
| SG - Safety glass | | | | | | | | |
| NG - Non-glare glass (4½" and 6" cases only) | | | | | | | | |
| EP - Maximum pointer (adjustable) | | | | | | | | |
| SH - Red set hand stationary | | | | | | | | |
| Other | | | | | | | | |
| 6B - Cleaned for gaseous, oxygen service | | | | | | | | |
| NH - Stainless Steel tag wired to case | | | | | | | | |
| AB - Gauges calibrated to compensate for absolute pressure | | | | | | | | |
| OS - Overload stop | | | | | | | | |
| VS - Underload stop | | | | | | | | |
| HY - Hydrostatic/pneumatic testing (system pressurized to 150% of rated system pressure for 5 minutes. Overload stop standard.) | | | | | | | | |
| C4 - Individual calibration chart (in accordance with ASME B40.100:2013. Accuracy traceable to NIST) | | | | | | | | |
| Range (coding examples only, see range table on page 3 for all standard ranges) | | | | | | | | |
| Single Scales | | | | | | | | |
| 15# - 15 psi | | | | | | | | 15# |
| 1BR - 1 bar | | | | | | | | |
| 1KG - 1 kg/sm² | | | | | | | | |
| 100KP - 100 kPa | | | | | | | | |
| Dual Scales | | | | | | | | |
| 15#/BR - 15 psi inner scale, 1 bar outer scale | | | | | | | | |
| 1BR/# - 1 bar inner scale, 15 psi outer scale | | | | | | | | |

1377 Duragauge[®] Pressure Gauge

| STANDARD PRESSURE RANGES | | | | | |
|---------------------------------|------------|------------|------------|------------|--------------------------|
| | psi | bar | kPa | mPa | kg/cm² |
| Vacuum | 30IMV | N1BR | N100KP | N1MP | N1KG |
| | - | N1/0.6BR | N100/60KP | 0.1/0.06MP | N1/0.6KG |
| | V/15# | - | - | - | - |
| Compound | - | N1/1.5BR | N100/150KP | N.1/0.15MP | N1/1.5KG |
| | V/30# | - | - | - | - |
| | - | N1/3BR | N100/300KP | N.1/0.3MP | N1/3KG |
| | V/60# | - | - | - | - |
| | - | N1/5BR | N100/500KP | N.1/.5MP | N1/5KG |
| | V/100# | - | - | - | - |
| | - | N1/9BR | N100/900KP | N.1/.9MP | N1/9KG |
| | 15# | 1BR | 100KP | 0.1MP | 1KG |
| | 20# | - | - | - | - |
| Positive Pressure | - | 1.6BR | 160KP | 0.16MP | 1.6KG |
| | 30# | - | - | - | - |
| | - | 2.5BR | 250KP | 0.25MP | 2.5KG |
| | 60# | 4BR | 400KP | 0.4MP | 4KG |
| | - | 6BR | 600KP | 0.6MP | 6KG |
| | 100# | - | - | - | - |
| | 120# | - | - | - | - |
| | - | 10BR | 1000KP | 1MP | 10KG |
| | 160# | - | - | - | - |
| | 200# | - | - | - | - |
| | - | 16BR | 1600KP | 1.6MP | 16KG |
| | 300# | - | - | - | - |
| | - | 25BR | 2500KP | 2.5MP | 25KG |
| | 400# | - | - | - | - |
| | 500# | - | - | - | - |
| | 600# | 40BR | 4000KP | 4MP | 40KG |
| | 800# | - | - | - | - |
| | - | 60BR | 6000KP | 6MP | 60KG |
| | 1000# | - | - | - | - |
| | 1500# | 100BR | 10000KP | 10MP | 100KG |
| | 2000# | - | - | - | - |
| | - | 160BR | 16000KP | 16MP | 160KG |
| | 3000# | - | - | - | - |
| | - | 250BR | 25000KP | 25MP | 250KG |
| | 4000# | - | - | - | - |
| | 5000# | - | - | - | - |
| | 6000# | 400BR | 40000KP | 40MP | 400KG |
| | 8000# | - | - | - | - |
| | - | 600BR | 60000KP | 60MP | 600KG |
| | 10000# | - | - | - | - |
| 15000# | 1000BR | 100000KP | 100MP | 1000KG | |
| 20000# | - | - | - | - | |
| - | 1600BR | - | 160MP | 1600KG | |
| 30000# | - | - | - | - | |
| - | 2500BR | - | 250MP | 2500KG | |
| 50000# | - | - | - | - | |
| - | 4000BR | - | 400MP | 4000KG | |
| 80000# | - | - | - | - | |
| - | 6000BR | - | 600MP | 6000KG | |
| 100000# | - | - | - | - | |

1377 Duragauge® Pressure Gauge

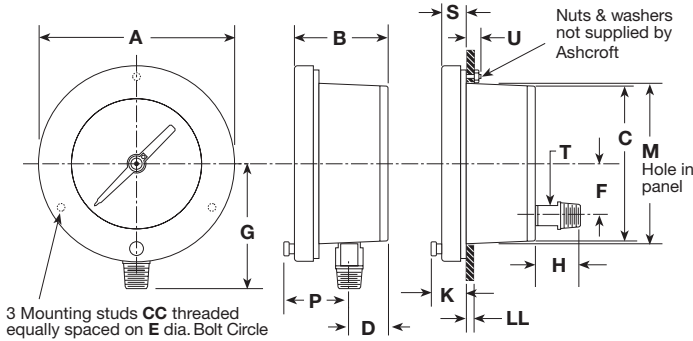
DIMENSIONS in [] are millimeters

Drawings are for reference only, consult Ashcroft for specific dimensional drawings.

| Dial Size Inches | A | B | C | D | E | F | G | H | K | M | P | S | T | U | CC | LL | Weight (lbs) |
|------------------|--------------|------------|-------------|------------|-------------|------------|-------------|------------|------------|-------------|------------|-----------|-----------|-----------|--------|----------------|--------------|
| 4½ | 6 [152] | 2⅞ [73] | 4¾ [121] | 1⅞ [27] | 5⅞ [137] | 1⅞ [41] | 3⅞ [100] | 1⅞ [35] | 1⅞ [27] | 4⅞ [124] | 2⅞ [54] | ⅞ [16] | ⅞ [16] | ¾ [19] | #10-24 | ⅞-½ [3][13] | 2.5 |
| 6 | 7⅞ [192] | 2⅞ [73] | 4¾ [121] | 1⅞ [27] | 7 [178] | 1⅞ [41] | 4½ [114] | 1⅞ [35] | 1⅞ [27] | 6½ [165] | 2⅞ [54] | ⅞ [16] | ⅞ [16] | ¾ [19] | ¼-20 | ⅞-½ [3][13] | 2.5 |
| 8½ | 10⅞ [257] | 2⅞ [73] | 4¾ [121] | 1⅞ [27] | 9⅞ [244] | 1⅞ [41] | 6 [152] | 1⅞ [35] | 1⅞ [27] | 9 [229] | 2⅞ [54] | ⅞ [16] | ⅞ [16] | ¾ [19] | ¼-20 | ⅞-½ [3][13] | 4.5 |

1377 4½" and 6" lower connection

1377 4½" and 6" back connection



1377 8½" lower connection

1377 8½" back connection

