

1131 Differential Pressure Gauge

FEATURES

- High static pressure capability (up to 3,000 psi)
- Ranges from 5 psi to 100 psi
- Reed switches (optional) for direct system control
- Superior magnets for smoother pointer motion
- Buna-N Diaphragm & O-rings (others available)
- Rolling diaphragm actuator (cannot see reverse pressure)

TYPICAL USES

- Filtration monitoring
- Flow measurement
- Leak detection and pressure drop



1131
2½", 3½", 4", 4½", 6" dial sizes

SPECIFICATIONS

Accuracy:	±2% ascending pressure full scale differential
Sizes:	2½", 3½", 4", 4½", 6"
Ranges:	0-100 psi
Process Connection Location:	Lower, back/in-line
Process Connection Sizes:	¼ NPT Female (STD.), ⅛ or ½ NPT Female Adapters (OPT.)
Migration:	Zero
Weather Protection:	IP65
Maximum Process Temperature:	175°F (80°C)
Maximum Static Pressure:	3,000 psi

WETTED COMPONENTS

Actuator	O-Rings/Diaphragm	Body Material
Rolling Diaphragm	Buna-N	Aluminum, brass or stainless steel

Ceramic magnet and SS spring are also wetted components

NON-WETTED COMPONENTS

Case Material	Window
Stainless steel	Glass (STD.), safety glass or plastic (OPT.)

KEY BENEFITS

- No migration of processing media
- Economical means for measuring differential pressure
- Switch outputs available
- 5 year warranty

RATINGS FOR REED SWITCHES

Switches	Contact Rating	Current	Voltage
SPST	10 VA ac (rms) or dc (Max.)	0.5 Amp ac (rms) or dc (Max.)	100 Vac/Vdc (Max.)
SPDT	3 VA ac (rms) or dc (Max.)	0.3 AMP ac (rms) or dc (Max.)	30 Vac/Vdc (Max.)

Data Sheet

1131 Differential Pressure Gauge

ORDERING CODE	Example:	25	1131	A	D	25	S	XV1	5#
Size									
25 - 2½"		25							
35 - 3½"									
40 - 4"									
45 - 4½"									
60 - 6"									
Series									
1131 - Rolling Diaphragm (Cannot see reverse pressure)			1131						
Body Material									
A - Brass				A					
F - Aluminum									
S - Stainless steel									
Case Fill									
D - Dry					D				
L - Glycerin fill (Liquid fill has an effect on accuracy that varies with range and temperature)									
Process Connection Size									
25 - ¼ NPT Female						25			
Process Connection Location									
S - In-Line							S		
L - Lower									
B - Back									
Options (If choosing an option(s) must include an "X")									
BF - Surface mounting plate								X__	
CS - Dual scale									
DD - Color band (any combination of green, yellow, red)									
GE - ⅛ NPT Female adapters									
GM - ½ NPT Female adapters									
EP - Maximum pointer									
FF - Front flange									
VD - Viton® Diaphragm and O-rings									
EM - EPDM Diaphragm and O-rings									
GV - Silicone fill (Recommended for outdoor use even though unit is hermetically sealed)									
PD - Plastic window									
SG - Safety glass (N/A on 2½" case)									
TM - Pipe mounting bracket									
V1 - 1-SPST switch w/DIN plug	(Adj. 30-100% of range, Preset @ 90%)							V1	
V2 - 1-SPST switch w/terminal strip	(Adj. 30-100% of range, Preset @ 90%)								
V3 - 2-SPST switch w/DIN plug	(Adj. 30-100% of range, Preset @ 90%)								
V4 - 2-SPST switch w/terminal strip	(Adj. 30-100% of range, Preset @ 90%)								
V5 - 1-SPDT switch w/DIN plug	(Adj. 30-100% of range, Preset @ 90%)								
V6 - 1-SPDT switch w/terminal strip	(Adj. 30-100% of range, Preset @ 90%)								
V7 - 2-SPDT switch w/DIN plug	(Adj. 30-100% of range, Preset @ 90%)								
V8 - 2-SPDT switch w/terminal strip	(Adj. 30-100% of range, Preset @ 90%)								
Range (coding examples only, see range table on page 3 for all standard ranges)									
5# - 5 psi									5#

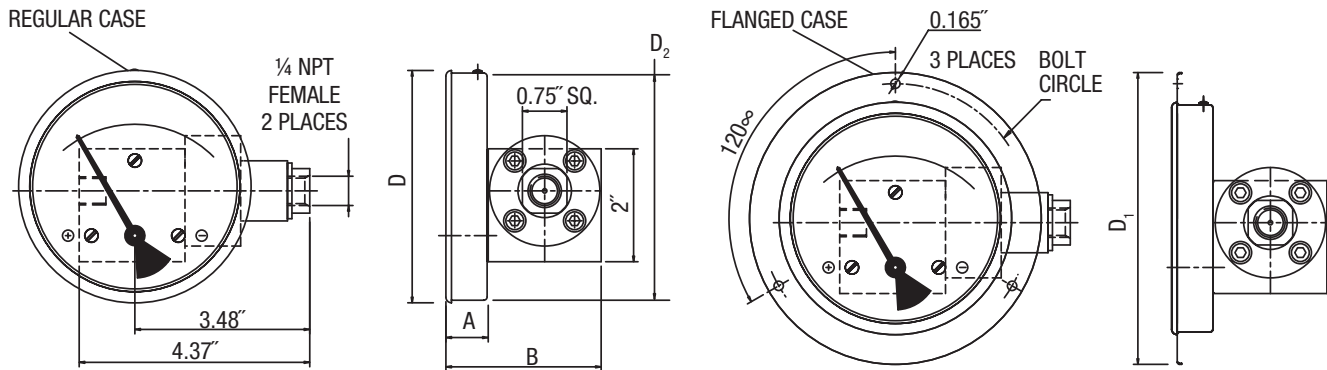
Data Sheet

1131 Differential Pressure Gauge

1131- Single Scale			
psid	kg/cm ²	bar	kPa
-	0.25KSC	0.25BR	25KPa
5#	-	-	-
7#	0.5KSC	0.5BR	50KPa
10#	0.75KSC	0.75BR	75KPa
15#	1KSC	1BR	100KPa
20#	-	-	-
25#	-	-	-
30#	2KSC	2BR	200KPa
-	2.5KSC	2.5BR	250KPa
40#	-	-	-
60#	4KSC	4BR	400KPa
100#	7KSC	7BR	700KPa

DIMENSIONS

For reference only, consult Ashcroft for specific dimensional drawings.



Dial Size	A	B	D	D ₁	D ₂	Bolt Circle
2.5"	0.75"	2.74"	2.59"	3.66"	2.55"	3.26"
3.5"	0.75"	2.74"	3.26"	4.29"	3.22"	3.86"
4"	0.75"	2.74"	4.10"	5.15"	4.01"	4.76"
4.5"	0.75"	2.74"	4.71"	5.74"	4.60"	5.35"
6"	0.75"	2.74"	6.07"	7.12"	6.00"	6.73"