

1106 Pulsation Dampener & 1112 Pressure Snubber

FEATURES: 1106

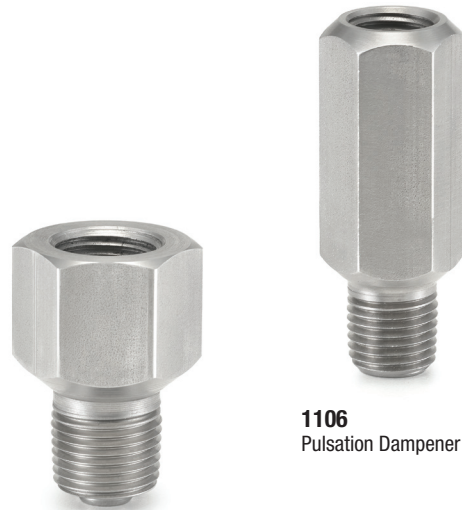
- Horizontal or vertical Installation
- Self-cleaning
- Selectable field-adjustment for process medias

FEATURES: 1112

- All metal construction
- Many porosity settings available
- Filter disk, less tendency to clog than orifice type device

TYPICAL USES

- Oil and Gas
- Refineries
- Chemical and Petrochemical
- Water and Wastewater
- Biogas and Biodiesel



1112
Snubber

1106
Pulsation Dampener

SPECIFICATIONS: 1106

Process Conn:	¼ NPT Male, ½ NPT Male
Instrument Conn:	¼ NPT Female, ½ NPT Female
Max Allowable Working Pressure:	5,000 psi

SPECIFICATIONS: 1112

Process Conn:	¼ NPT Male, ½ NPT Male
Instrument Conn:	¼ NPT Female, ½ NPT Female
Max Allowable Working Pressure:	1112B: 10,000 psi 1112S & 1112M: 15,000 psi

WETTED COMPONENTS

Model	Materials
1106B	Brass/316 Stainless Steel
1106D	Steel/Stainless Steel
1106S	Stainless Steel
1112B	Brass/316 Stainless Steel
1112S	303 Stainless Steel/316 Stainless Steel
1112M	R Monel®/Monel®

KEY BENEFITS: 1106 PULSATION DAMPENER

- Adjustable, self cleaning
- Protects pressure instruments from process pulsation

KEY BENEFITS: 1112 PRESSURE SNUBBER

- Filter disc available with wide porosity options for a variety of process media
- Low profile design for space restricted applications

1106 - Provides restriction by means of a moving pin, which may be placed in either of five different sized holes, and this allows the user to vary the amount of dampening to suit the requirements. The pulsating pressure moves the pin up and down, providing a self-cleaning action. Dampeners are shipped with a pin in the 'middle' hole, and may be used in either a vertical or horizontal position. Maximum pressure is 5000 PSI.

1112 - Used for dampening and filtering, the snubber has a metal disc available in four grades of porosity. The one best suited for the application can be selected from the ordering code. Due to the large filter area, the snubber has less tendency to clog than orifice-type devices. All-metal construction permits the snubber to be washed in a variety of common solvents.

1106 Pulsation Dampener & 1112 Pressure Snubber

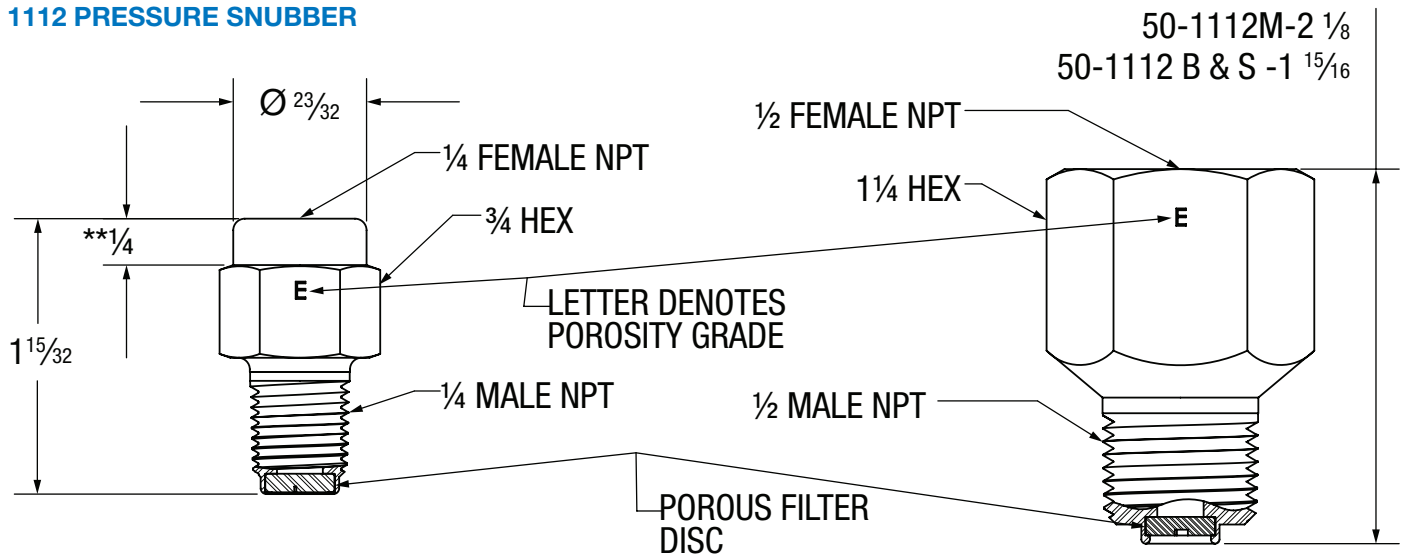
ORDERING CODE:	Example:	02	1112	S	D	25	X5G
Process Connection							
02 - ¼ NPT Male		02					
04 - ½ NPT Male							
Model							
1106 - Pulsation dampener							
1112 - Pressure snubber			1112				
Housing Material							
B - Brass							
S - 303 Stainless Steel				S			
D - Steel (1106 only)							
M - R Monel [®] (1112 only)							
Porosity (For use with 1112 only)							
	Max. Pore Capacity	CFH at 1 psi Diff. Pressure	Process Media				
D	0.005	6.5	Oil		D		
E	0.0025	3.0	Water & Light Oils				
G	0.0008	1.1	Air, Steam & Gases				
HX	0.0006	0.4	Mercury Manometers				
Instrument Connection							
25 - ¼ NPT Female						25	
50 - ½ NPT Female							
Options (if choosing an option(s) must include an "X")							
5G - Siphon attached to instrument							X _ _
NH - Stainless Steel tag wired to snubber/dampener							5G

**1106 Pulsation Dampener &
1112 Pressure Snubber**

DIMENSIONS

For reference only, consult Ashcroft for specific dimensional drawings

1112 PRESSURE SNUBBER



**THIS DIM. APPLIES TO CAT. Nos 1112B & 1112S ONLY

1106 PULSATION DAMPENER

