

Signet 5700 pH/ORP Monitor

Member of the ProPoint™ Family of Monitors



Analog and Digital Display

Description

The Signet 5700 pH/ORP Monitor is a versatile and intelligent instrument that recognizes the type of sensor connected, either pH or ORP, then automatically sets itself for the corresponding display and functionality. Also, during EasyCal operation, the monitor automatically recognizes standard buffers/test solutions, thereby shortening and simplifying routine calibration procedures. Two programmable relays and one scaleable 4 to 20 mA output are included,

and the four-button keypad arrangement with intuitive software design is very user-friendly. The monitors require 12 to 24 Volts, AC or DC, and can be used with many Signet pH/ORP electrodes and preamplifiers, or with electrodes from other manufacturers by using the 2721 Preamplifier. Several useful accessories are available, including the optional splashproof rear cover kit.

System Overview

In-Line Sensor Installation	Submersible Sensor Installation	Wet-Tap Sensor Installation
<p>Panel Mount Signet 5700 Instrument</p>	<p>Panel Mount Signet 5700 Instrument</p>	<p>Panel Mount Signet 5700 Instrument</p>
<p>Signet compatible pH/ORP Electrode with Preamplifier 2714-2717, 2754-2757, 2764-2767, 2774-2777 2720, 2760 (each sold separately)</p>	<p>Pipe extension or conduit with 3/4 in. ElecNPT or ISO 7/1-R 3/4 threads</p>	<p>Signet Wet-Tap Electrode with Preamplifier 2716, 2717, 2756, 2757, 2720, 2760 (each sold separately)</p>
<p>Signet Fittings (sold separately)</p>	<p>Signet compatible pH/ORP Electrode with Preamplifier 2714-2717, 2754-2757, 2764-2767, 2774-2777 2720, 2760 (each sold separately)</p>	<p>Signet 3719 Wet-Tap (sold separately)</p>
		<p>Signet Fittings (sold separately)*</p>

*See Fittings Section for more information.

Features

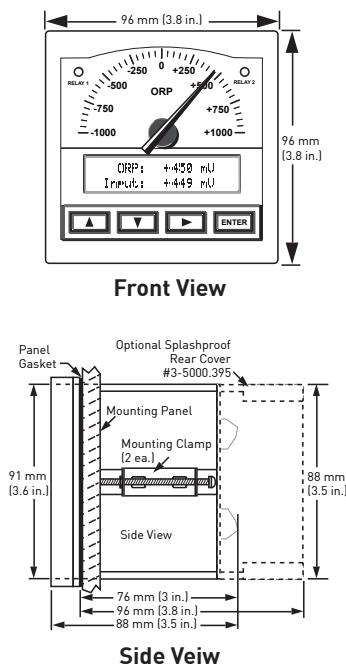
- Displays pH/temp/mV or ORP/mV
- EasyCal simplifies routine calibration
- Simple push-button operation
- Intuitive software design
- Scaleable 4 to 20 mA output internally powered
- Two programmable relays
- Dual proportional control capability
- Non-volatile memory
- Versatile low voltage power requirement

Application

- Water & Wastewater Treatment
- Neutralization
- Scrubber Control
- Effluent Monitoring
- Surface Finishing
- Heavy Metal Removal and Recovery
- Toxics Destruction
- Sanitization Systems
- Pool & Spa Control
- Aquatic Animal Life Support Systems
- Process Control



Dimensions



Model 5700

Ordering Information:

- 1) Panel cutout should be 92 x 92mm (3.62 x 3.62 in.)
- 2) Reversible dials with standard ranges for pH and ORP are included with the instrument
- 3) An optional splash-proof rear cover can be ordered separately if needed.
- 4) Protective overlays are available for the front panel.
- 5) Order RC filter kits to protect relays from voltage spikes.
- 6) To mount the unit onto a wall, use the heavy duty wall mount bracket.

Please refer to Wiring, Installation, and Accessories sections for more information.

Specifications

General

Operating Range:

- pH: 0 to 14 pH, optically isolated
- Temp: -25°C to 120°C [-13°F to 248°F]
- ORP: -2,000 to +2,000 mV, optically isolated

Display

- Analog: Reversible dial: 0 to 14 pH or ±1000 mV
- Digital: Backlit LCD, 2x16 alphanumeric character

Electrical

Power Requirements:

- 12 to 24 Volts, AC or DC, unregulated, 50 to 60 Hz, 10W max.

Current Output:

- 4 to 20 mA, non-isolated, active, internally powered
- Loop impedance: 350Ω max. @ 12V
950Ω max. @ 24V
- Accuracy: ± 0.1%

Alarm Contacts:

- Two SPDT relays:
 - 5A @ 30VDC
 - 5A @ 125VAC
 - 3A @ 250VAC max.
- High/Low/Pulse programmable with adjustable hysteresis
- Dual Proportional Control Capability, maximum pulse rate 300 pulses/min.
- Accuracy: ± 0.2% of scale

Ordering Information

Mfr. Part No.	Code	Description
3-5700	198 825 003	pH/ORP Monitor

Accessories and Replacement Parts

Mfr. Part No.	Code	Description
Mounting		
3-5000.395	198 840 227	Splashproof rear cover kit
3-5000.399	198 840 224	5 x 5 inch adapter plate for Signet retrofit
3-5000.598	198 840 225	Surface mount bracket
3-8050.392	159 000 640	Model 200 retrofit adapter
3-0000.596	159 000 641	Heavy duty bracket for wall mounting of panel versions
Liquid Tight Connectors		
3-9000.392	159 000 368	Liquid tight connector kit for rear cover (3 connectors)
3-9000.392-1	159 000 839	Liquid tight connector kit, NPT (1 piece)
3-9000.392-2	159 000 841	Liquid tight connector kit, PG13.5 (1 piece)
Other		
3-5000.390	159 000 323	Installation kit
3-5000.397	159 000 326	5000 series window kit
3-5000.525-1	198 840 226	Bezel, 5000 series
3-0700.390	198 864 403	pH Buffer kit
3-5000.398	159 000 646	Protective Overlay kit (10 pcs)
3-8050.396	159 000 617	RC Filter Kit (for relay use), 2 per kit

Materials

- Enclosure: ABS Plastic
- Keypad: Silicone Rubber
- Panel and case gasket: Neoprene
- Window: Hard-coated polycarbonate

Shipping Weight: 0.82 kg (1.81 lb.)

Environmental

Enclosure rating: NEMA 4X/IP65 front

Operating temperature:

-10°C to 55°C (14°F to 131°F)

Relative humidity:

0 to 95%, non-condensing

Standards and Approvals

- CE, UL
- Manufactured under ISO 9001:2000 for Quality and ISO 14001:2004 for Environmental Management

pH/ORP